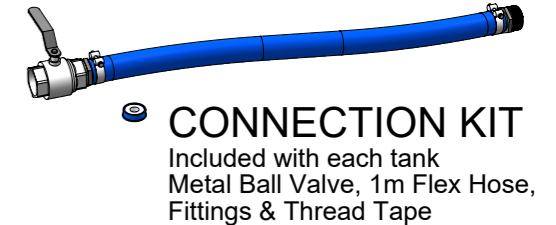
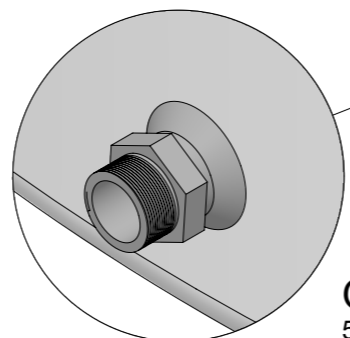
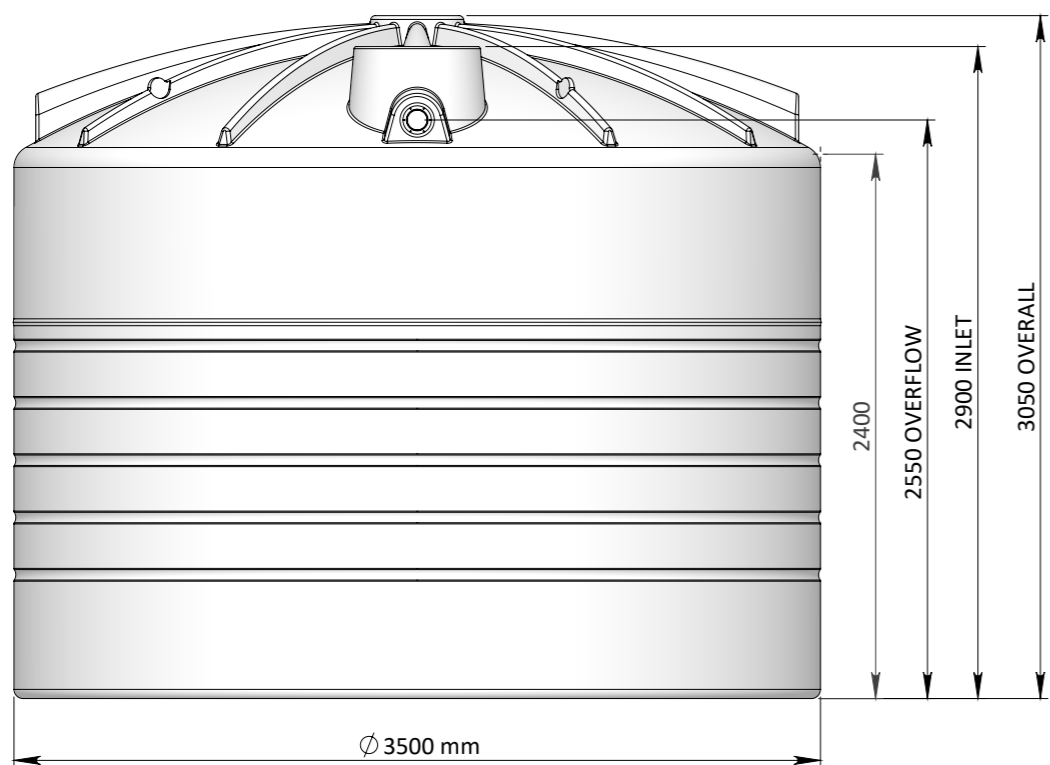
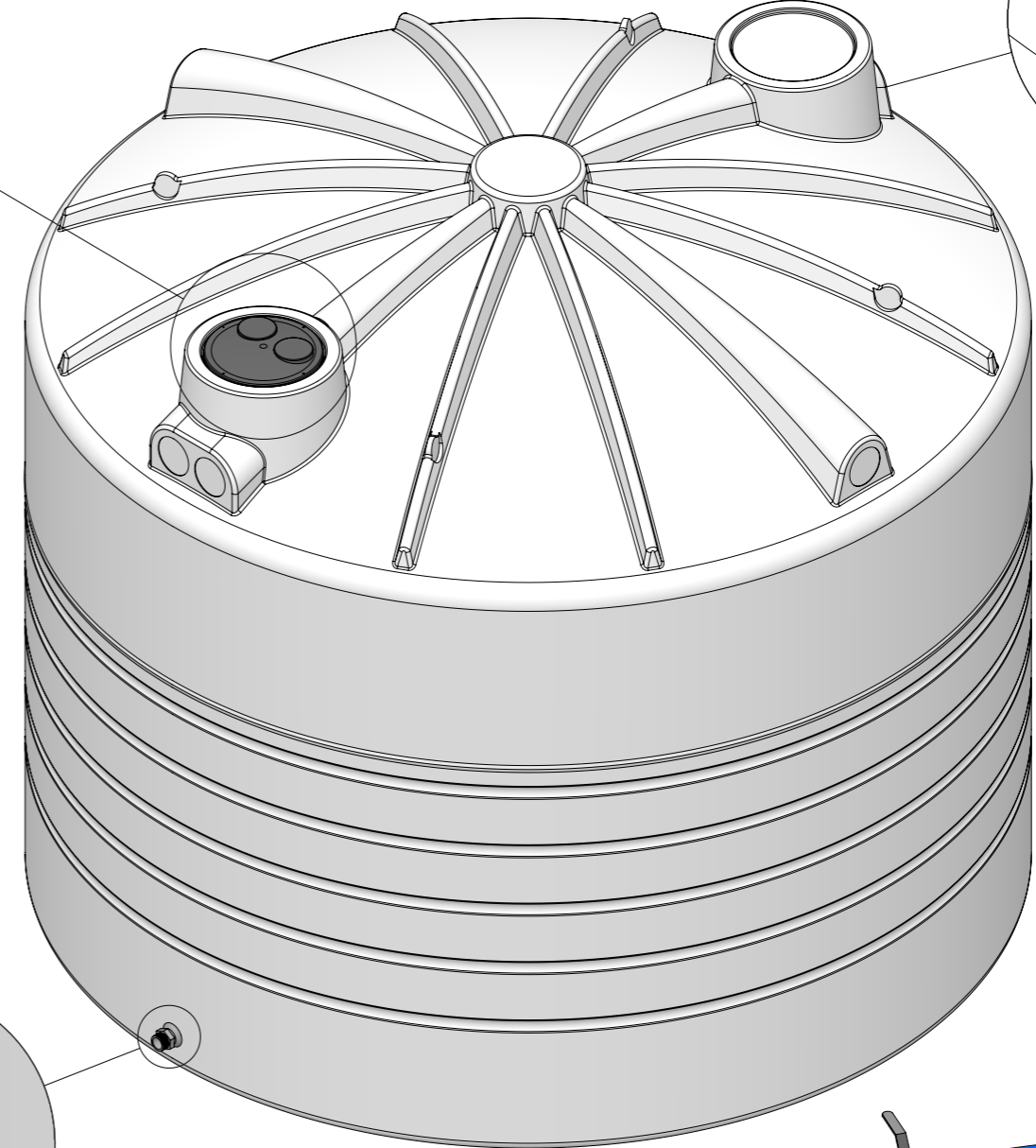
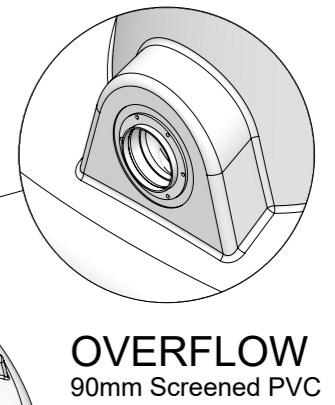
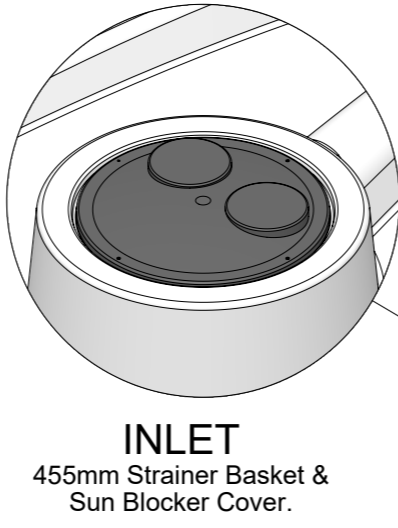
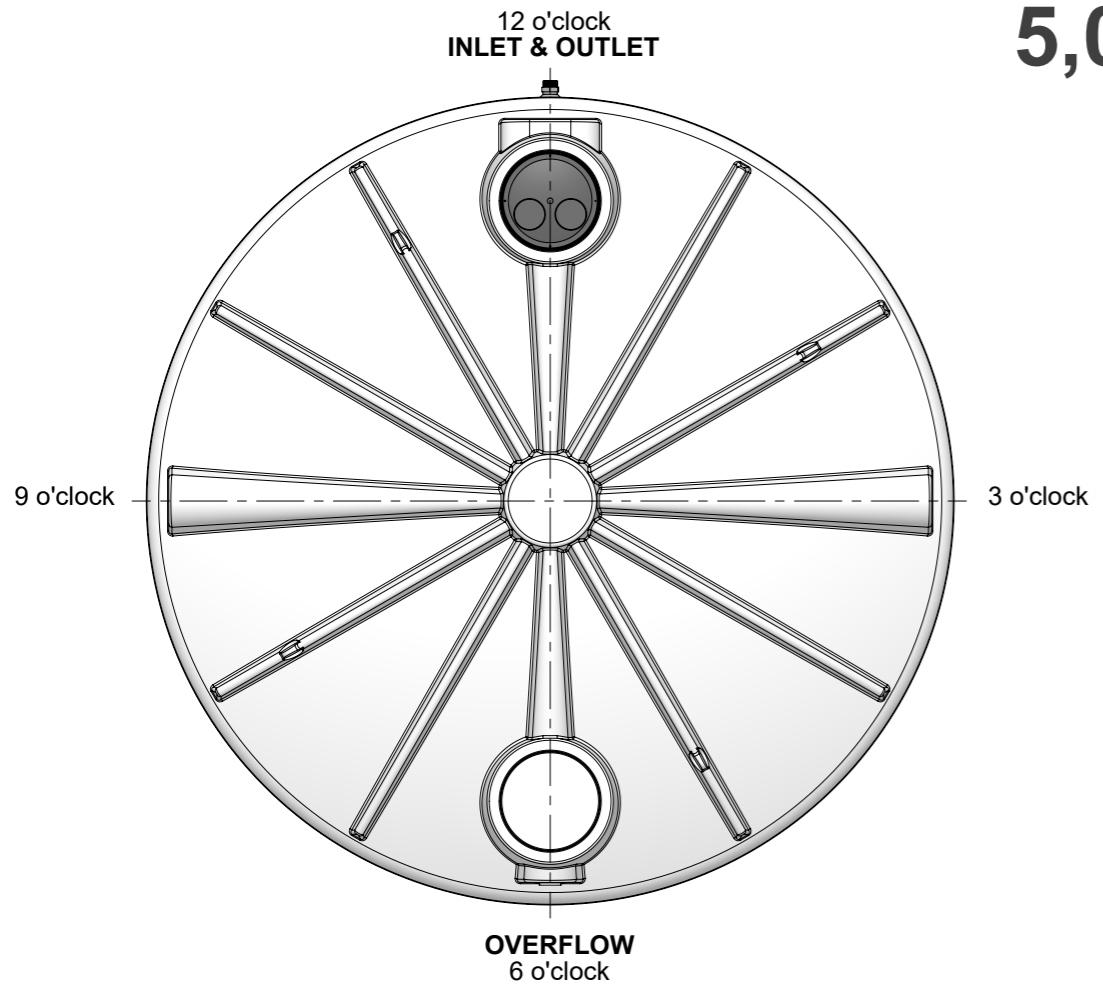


5,000 GALLON / 22,800L Standard Water Tank

TOLERANCES
PLEASE ALLOW BELOW TOLERANCES
DIMENSIONS 0 - 1000mm - ALLOW ± 10mm
DIMENSIONS >1000mm - ALLOW ± 25mm
DUE TO THERMAL SHRINKAGE VARIATIONS
IN THE ROTATIONAL MOULDING PROCESS



Note: Flex Connection Kit (Included with each tank) must be used on the outlet to maintain warranty. Refer Tank Installation Guidelines.

1	09.02.24	AS BUILT	DH	IG	
REV	DATE	REVISION DESCRIPTION	DRAWN	CHKD.	ENG.

GOUGH PLASTICS

A.C.N. 010 028 547
Gough Industries Pty. Ltd.
833 Ingham Road
Bohle, Townsville
P.O. Box 7570, Garbutt BC, Qld. 4814.
Telephone 07 47747606
www.gough.com.au

Dimensions are in millimetres (mm) unless noted.

CLIENT LOGO.

5,000 Gal / 22,800 L Water Tank

SCALE: NTS A3

GOUGH PLASTICS DRAWING No. FTAN.ST22800

REVISION: 1

SOLDWORKS: S:\Solidworks\Rural\tanks\5,000 Gal - 22,800 L Tank\5000 Gallon Tank Assembly

PDF FILE PATH: S:\Products\Rural\Marketing Rural\tanks-Big