

No.	DATE	BY	DESCRIPTION	GOUGH APPROV.
			REVISION	



Gough Industries Pty. Ltd.
 833 Ingham Road
 Bohle, Townsville
 P.O. Box 7570, Garbutt BC, Qld. 4814.
 Telephone 07 47747606
 Facsimile 07 47747608
 A.C.N. 010 028 547

This drawing remains the property of Gough Industries Pty. Ltd. It is subject to Gough Industries Pty. Ltd.'s recall and must not be reproduced in part or whole or it's contents divulged to third parties without prior written approval from Gough Industries Pty Limited.

DRAWN	Signature D.HOLLIER	Date 21.07.06
DRN. CHK		
ENGINEER		
ENG. CHK		
Eng. APPROVAL		
CONTROLLED DOCUMENT		NO

TrackPad			
Triple panel width ramp			
SCALE	1:60	A4	Gough Plastics Drg. No. ENV.TP825-15
CAD FILE :		S:\Products\Environmental\Track Pad System\Drawings\Product\	

REV

1 2 3 4 5 6

A

A

B

B

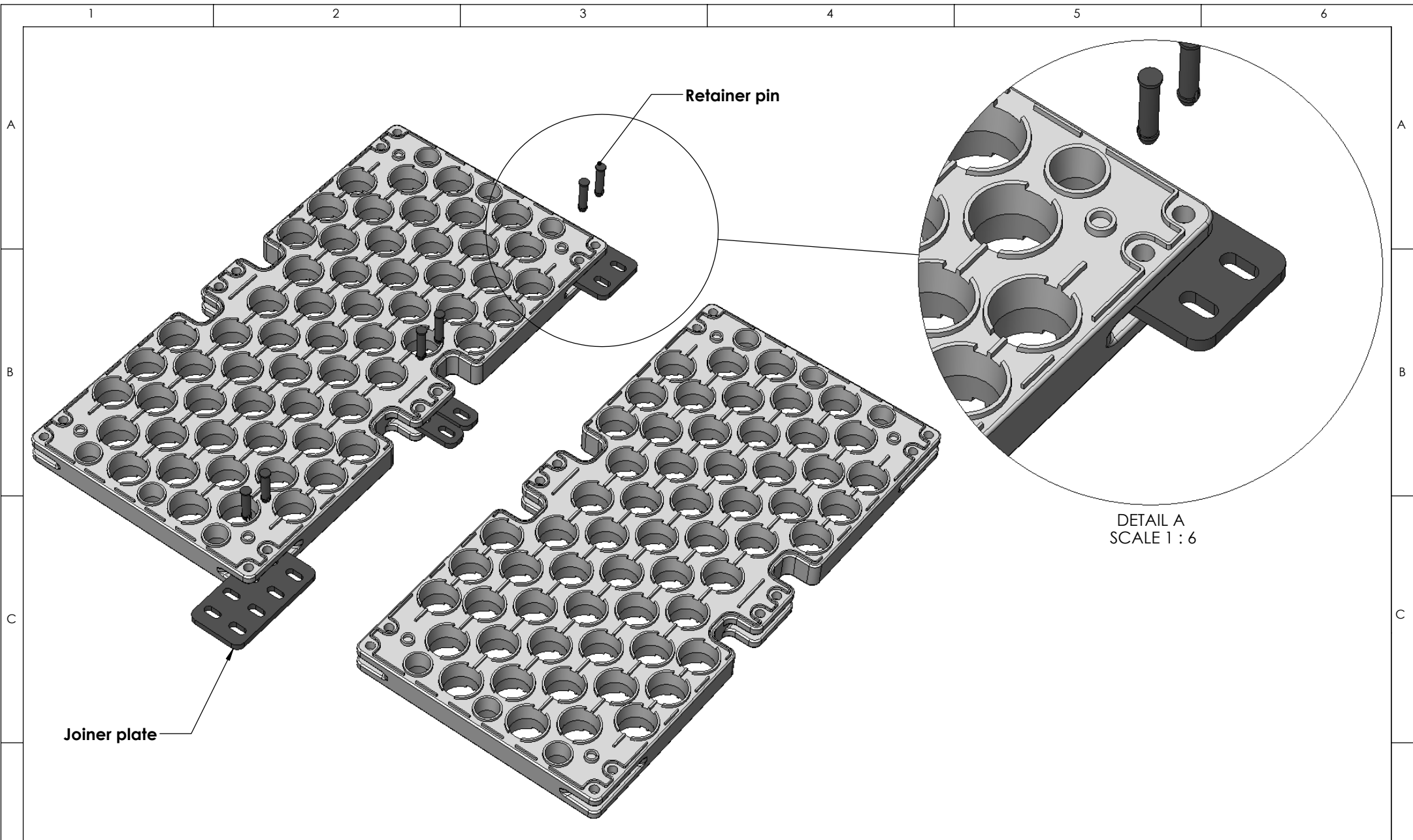
C

C

D

D

1 2 3 4 5 6



DETAIL A
SCALE 1 : 6

No	DATE	BY	DESCRIPTION	GOUGH
			REVISION	APPROV



Gough Industries Pty Ltd
 833 Ingham Road
 Bohle, Townsville
 P.O. Box 7570, Garbutt BC, Qld: 4814
 Telephone 07 47747606
 Facsimile 07 47747608
 A.C.N: D10 028 547

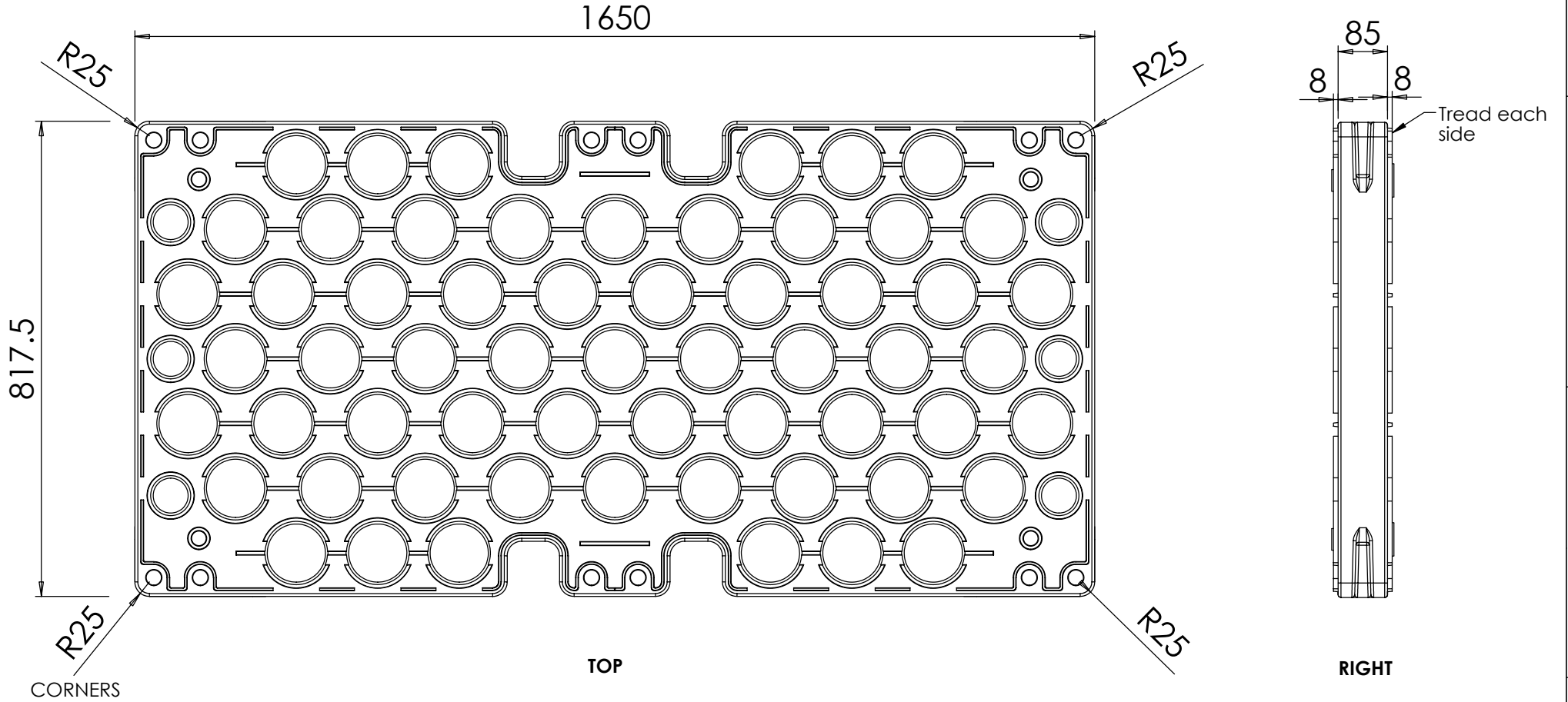
This drawing remains the property of Gough Industries Pty Ltd
 It is subject to Gough Industries Pty Ltd's recall and must not
 be reproduced in part or whole or it's contents divulged to third parties
 without prior written approval from Gough Industries Pty Limited

DRAWN	Signature D.HOLLIER	Date 21.07.06
DRN: CHK		
ENGINEER		
ENG: CHK		
Eng: APPROVAL		
CONTROLLED DOCUMENT		NO

Track Pad			Gough Plastics Drg. No: ENV TP825-13	REV
Exploded View				
SCALE	1:12	A4		
CAD FILE:			S:\Products\Environmental\Track Pad System\Drawings\Product\	

ALL DIMENSIONS ARE EXTERNAL FOR PRODUCT
 POLYETHYLENE SHRINKAGE ALLOWANCE TO BE 2.5%
 IF IN DOUBT ASK (07) 4774 7606

CONFIDENTIAL



MOULDED PRODUCT



Gough Industries Pty. Ltd.
 833 Ingham Road
 Bohle, Townsville
 P.O. Box 7570, Garbutt BC, Qld. 4814.
 Telephone 07 47747606
 Facsimile 07 47747608
 A.C.N. 010 028 547

This drawing remains the property of Gough Industries Pty. Ltd.
 It is subject to Gough Industries Pty. Ltd.'s recall and must not
 be reproduced in part or whole or it's contents divulged to third parties
 without prior written approval from Gough Industries Pty Limited.

Signature	Date
D.HOLLIER	10.03.06
DRAWN	
DRN. CHK	
ENGINEER	
ENG. CHK	
Eng. APPROVAL	
CONTROLLED DOCUMENT	NO

OVERALL DIMENSIONS

MOULDED PRODUCT

SCALE 1:10

A4

Gough Plastics Drg. No.

ENV.TP825-01

CAD FILE :

No.	DATE	BY	DESCRIPTION	GOUGH APPROV.
			REVISION	

REV