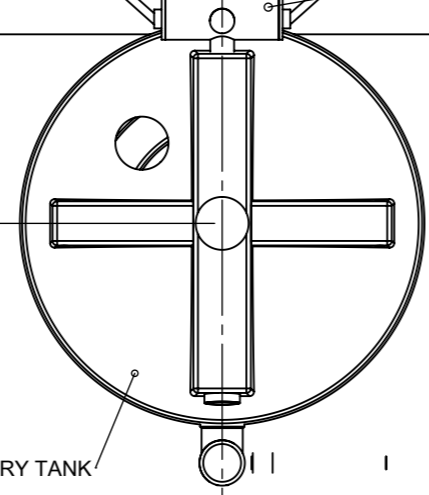


SIDE SHIFTER BUILDING

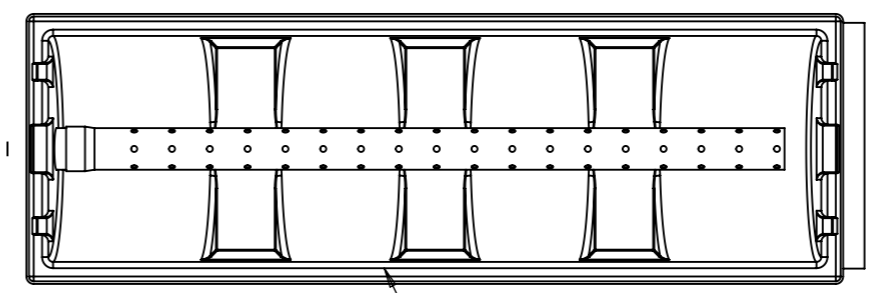
1100

CONNECTOR



SECONDARY TANK

center line



F350

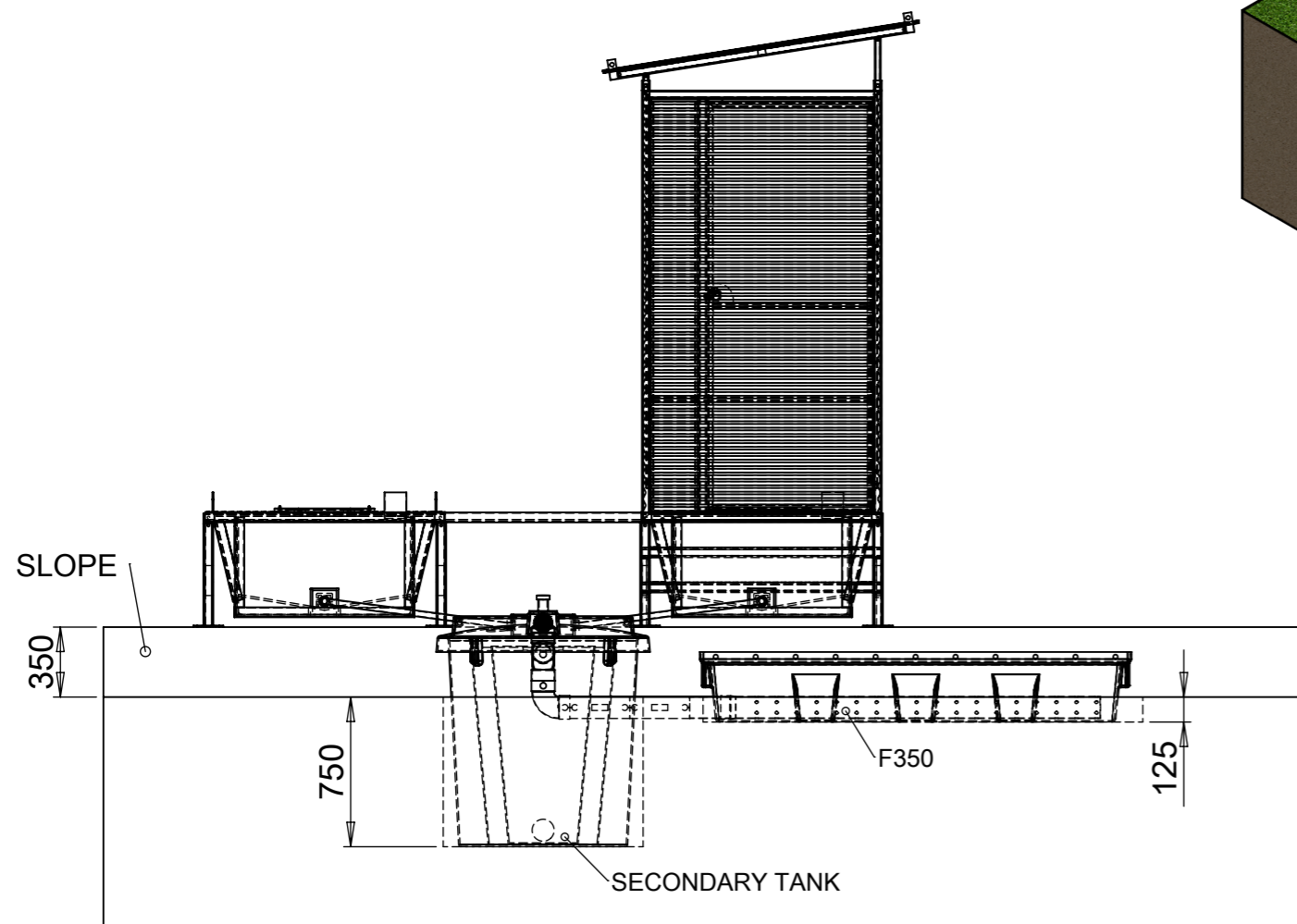
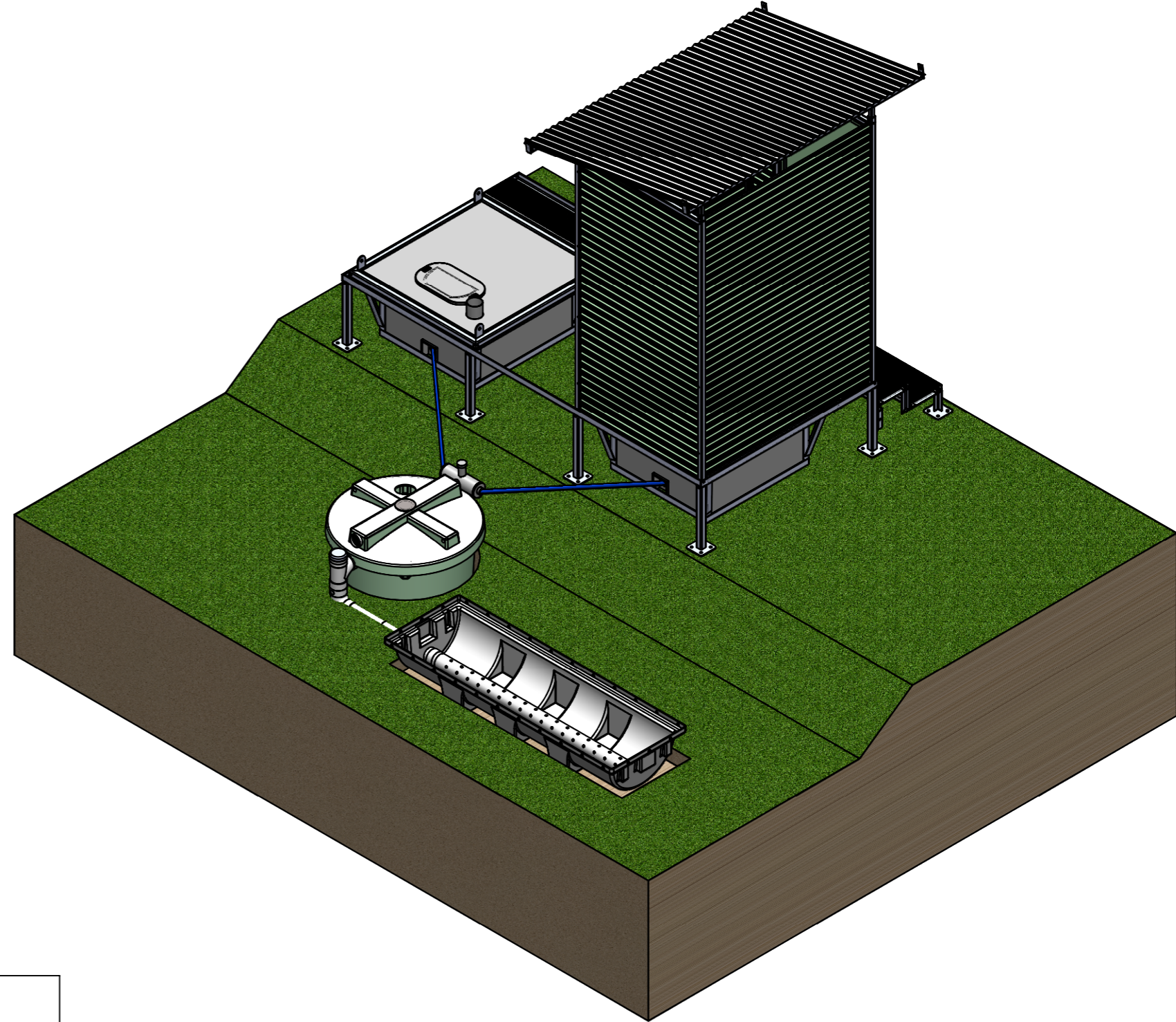
SIGNATURES:	DATE:	COMMENTS:
SIMON		
ROBERT		
RACHEL / DAVE		
ANDREW		
AARON		



A.C.N. 010 028 547  
 Gough Industries Pty. Ltd.  
 833 Ingham Road  
 Bohle, Townsville  
 P.O. Box 7570, Garbutt BC, Qld. 4814.  
 Telephone 07 47747606  
 Facsimile 07 47747608

SIDE SHIFTER WITH EVAPO TRANSPIRATION KIT				
DRAWN	Signature M.DAL MINA	Date 24.01.17	SCALE 1:100	A3
SIGNATURE:			Gough Plastics Drg. No. ENV-SAFARI-EVAPO 001	
\\FS02\Tsv Data\Products\Environmental\Hybrid Toilet System\Drawings\Custom Systems\VIC\PARKS VICTORIA\				

REV  
A



TANKS TO BE BURIED AS PER DRAWINGS

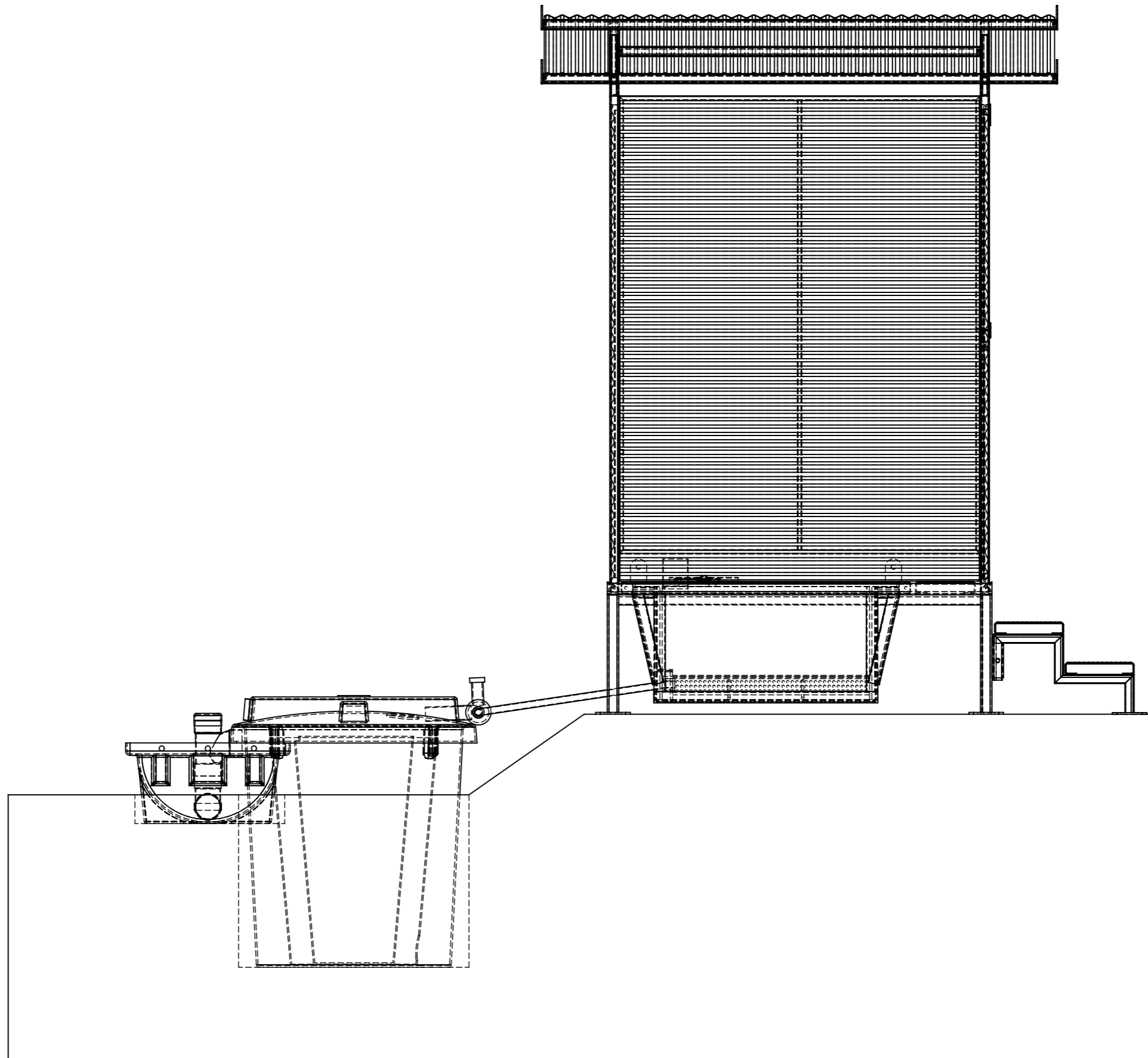
SIGNATURES:	DATE:	COMMENTS:
SIMON		
ROBERT		
RACHEL / DAVE		
ANDREW		
AARON		



A.C.N. 010 028 547  
 Gough Industries Pty. Ltd.  
 833 Ingham Road  
 Bohle, Townsville  
 P.O. Box 7570, Garbutt BC, Qld. 4814.  
 Telephone 07 47747606  
 Facsimile 07 47747608

SIDE SHIFTER WITH EVAPO TRANSPIRATION KIT

DRAWN	Signature M.DAL MINA	Date 24.01.17	SCALE 1:100	A3	Gough Plastics Drg. No. ENV-SAFARI-EVAPO 002	A	REV
SIGNATURE:			\\FS02\Tsv Data\Products\Environmental\Hybrid Toilet System\Drawings\Custom Systems\VIC\PARKS VICTORIA\				



SIGNATURES:	DATE:	COMMENTS:
SIMON		
ROBERT		
RACHEL / DAVE		
ANDREW		
AARON		



A.C.N. 010 028 547  
 Gough Industries Pty. Ltd.  
 833 Ingham Road  
 Bohle, Townsville  
 P.O. Box 7570, Garbutt BC, Qld. 4814.  
 Telephone 07 47747606  
 Facsimile 07 47747608

SIDE SHIFTER WITH EVAPO TRANSPIRATION KIT

DRAWN	Signature M.DAL MINA	Date 24.01.17	SCALE 1:100	A3	Gough Plastics Drg. No. ENV-SAFARI-EVAPO 003	A	REV
SIGNATURE:			\\FS02\Tsv Data\Products\Environmental\Hybrid Toilet System\Drawings\Custom Systems\VIC\PARKS VICTORIA\				