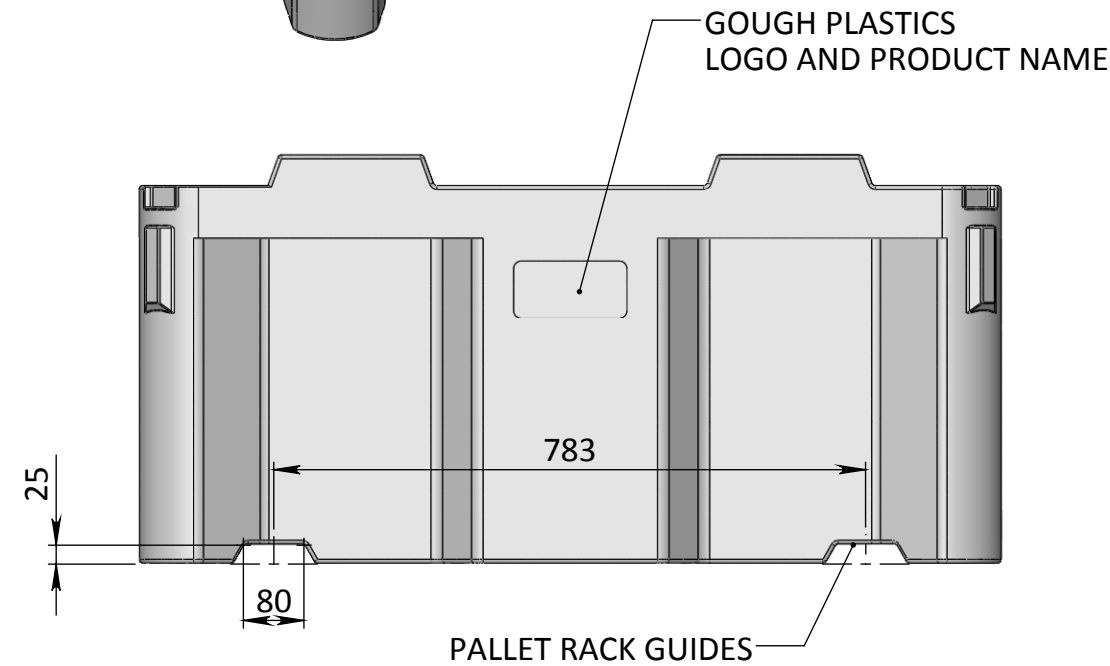
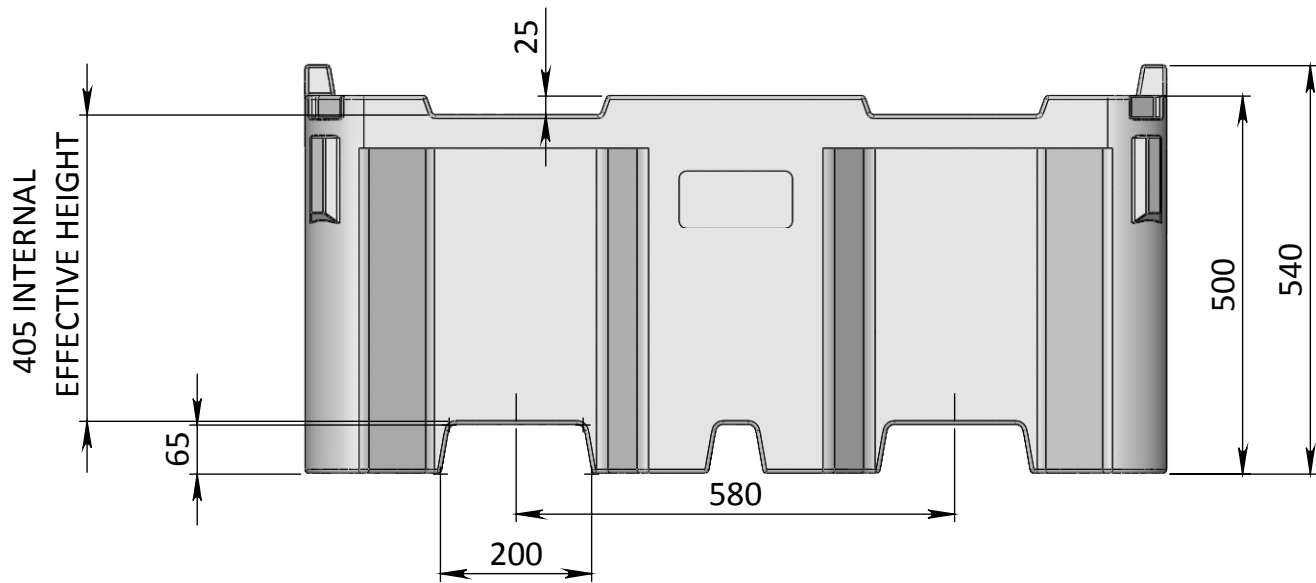


SPECIFICATIONS:

- * 2-WAY FORKLIFTABLE = YES
- * 4-WAY FORKLIFTABLE = NO
- * LOCATE ON PALLET RACK = YES
- * FIT SIDE BY SIDE IN SHIP. CONTAINER = YES
- * STACKABLE WITHOUT LID = YES
- * STACKABLE WITH LIDS = YES
- * NESTABLE = NO
- * FLAT FLOOR = REQUIRES DROP IN
- * LOCKABLE LID OPTION = YES
- * WEATHER PROOF = YES
- * AIR TIGHT SEAL = NO

ESTIMATED WEIGHT: 25kg
APPROX: 6mm THICK



A	XX.XX.XX	DH	FIRST ISSUE	
REV	DATE	BY	DESCRIPTION	GOUGH
REVISION				APPROV.



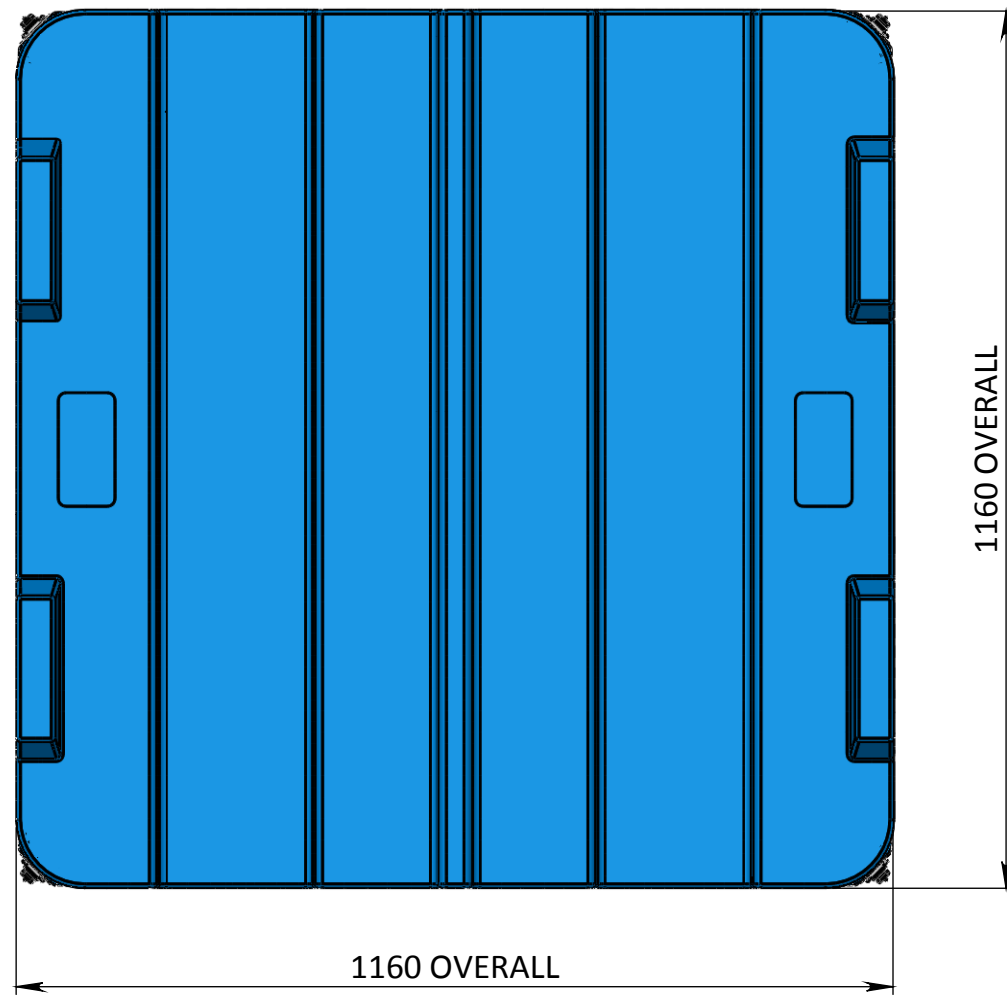
A.C.N. 010 028 547
Gough Industries Pty. Ltd.
833 Ingham Road
Bohle, Townsville
P.O. Box 7570, Garbutt BC, Qld. 4814.
Telephone 07 47747606
Facsimile 07 47747608

PARTS BIN

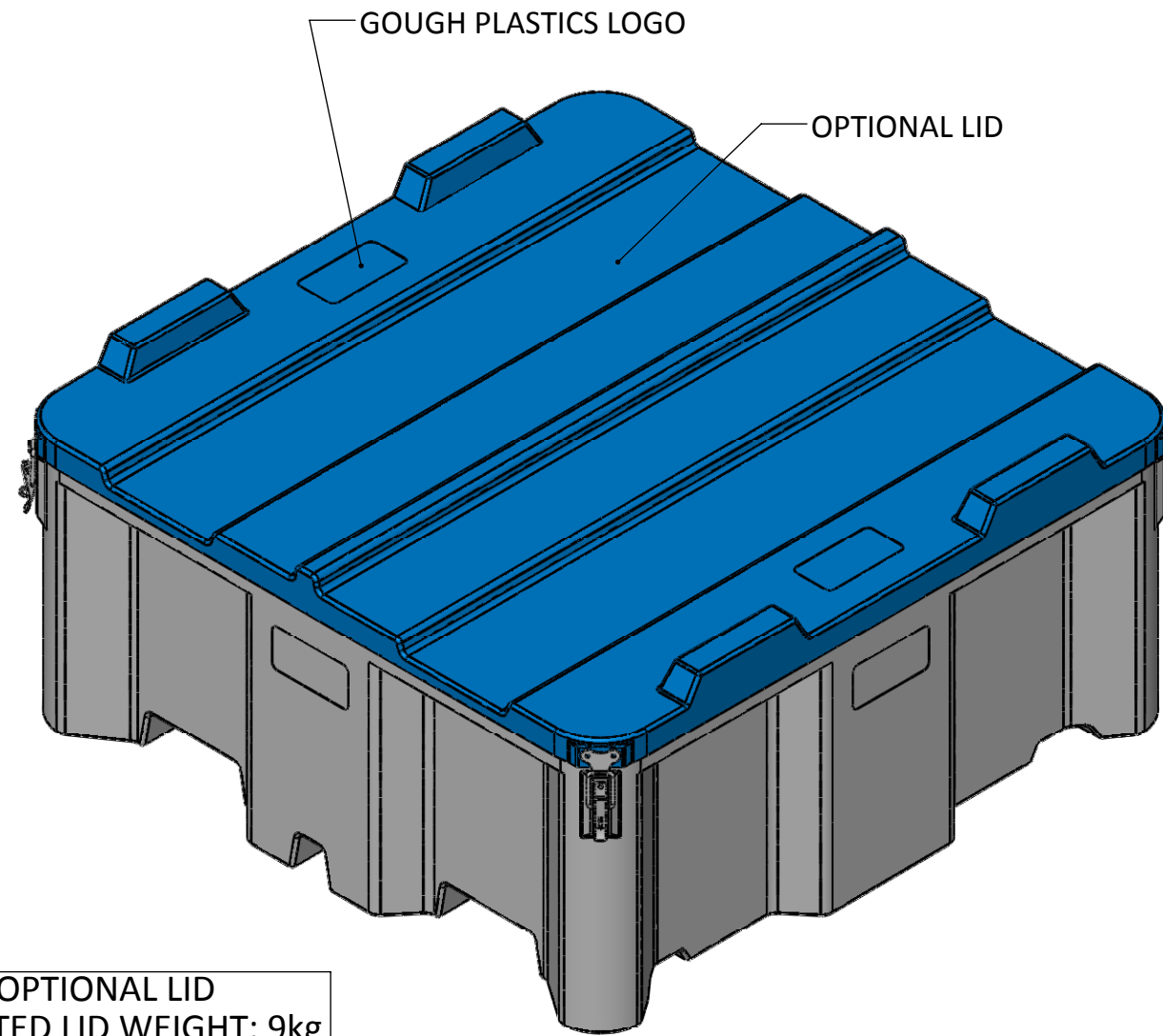
	Signature	Date	SCALE 1:20	A3	Gough Plastics Drg. No.		
DRAWN	D.HOLLIER	25.02.15			ENG-BIN-002.01	A	REV
DRN. CHK	S.GOUGH	25.02.15	S:\Product Development\Proposed New Products\Materials Handling\Parts Bin\SINGLE SKIN\				

SPECIFICATIONS:

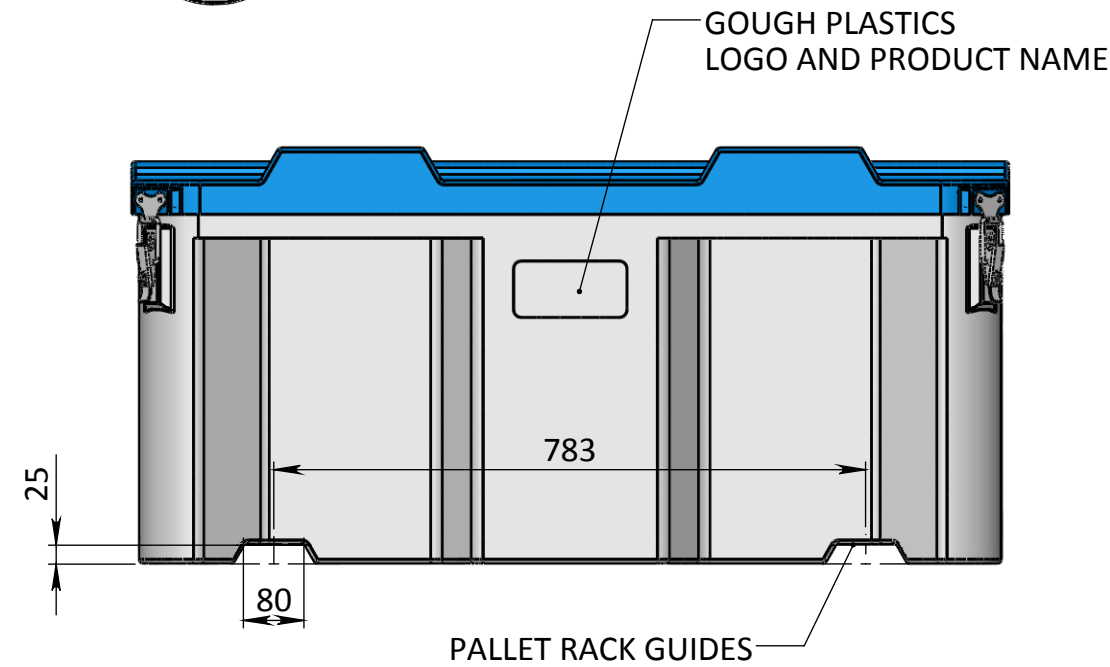
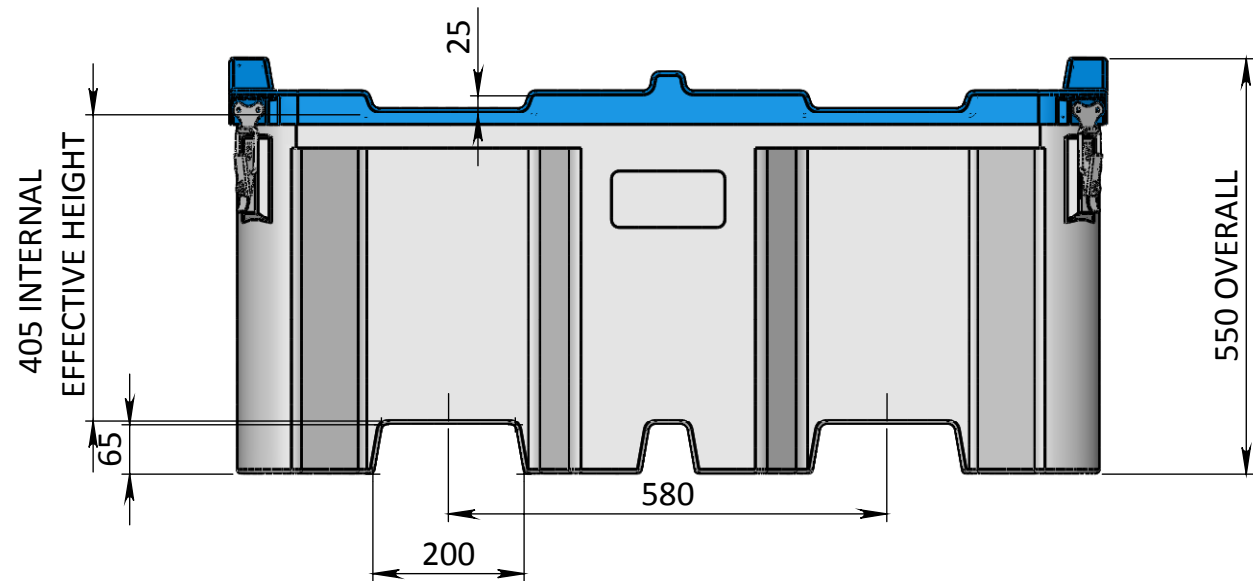
- * 2-WAY FORKLIFTABLE = YES
- * 4-WAY FORKLIFTABLE = NO
- * LOCATE ON PALLET RACK = YES
- * FIT TWO SIDE BY SIDE IN SHIPPING . CONTAINER = YES
- * STACKABLE WITHOUT LID = YES
- * STACKABLE WITH LIDS = YES
- * NESTABLE = NO
- * FLAT FLOOR = REQUIRES DROP IN
- * LOCKABLE LID OPTION = YES
- * WEATHER PROOF = YES
- * AIR TIGHT SEAL = NO



* WILL FIT IN SHIPPING CONTAINER TWO SIDE BY SIDE



OPTIONAL LID
ESTIMATED LID WEIGHT: 9kg
APPROX: 6mm THICK



A	XX.XX.XX	DH	FIRST ISSUE	
REV	DATE	BY	DESCRIPTION	GOUGH
			REVISION	APPROV.



A.C.N. 010 028 547
Gough Industries Pty. Ltd.
833 Ingham Road
Bohle, Townsville
P.O. Box 7570, Garbutt BC, Qld. 4814.
Telephone 07 47747606
Facsimile 07 47747608

PARTS BIN

	Signature	Date	SCALE 1:20	A3	Gough Plastics Drg. No. ENG-BIN-002.02	A	REV
DRAWN	D.HOLLIER	25.02.15					
DRN. CHK	S.GOUGH	25.02.15	S:\Product Development\Proposed New Products\Materials Handling\Parts Bin\SINGLE SKIN\				