

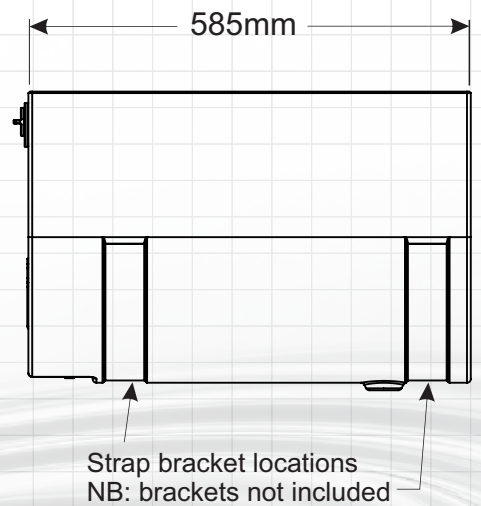
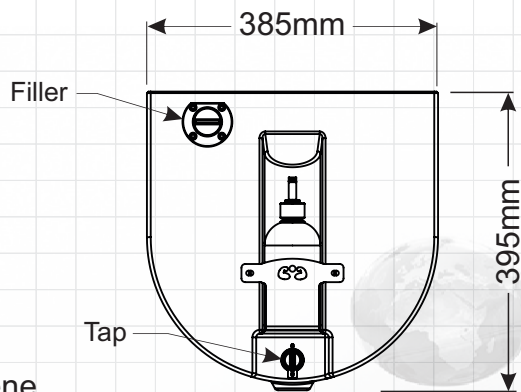
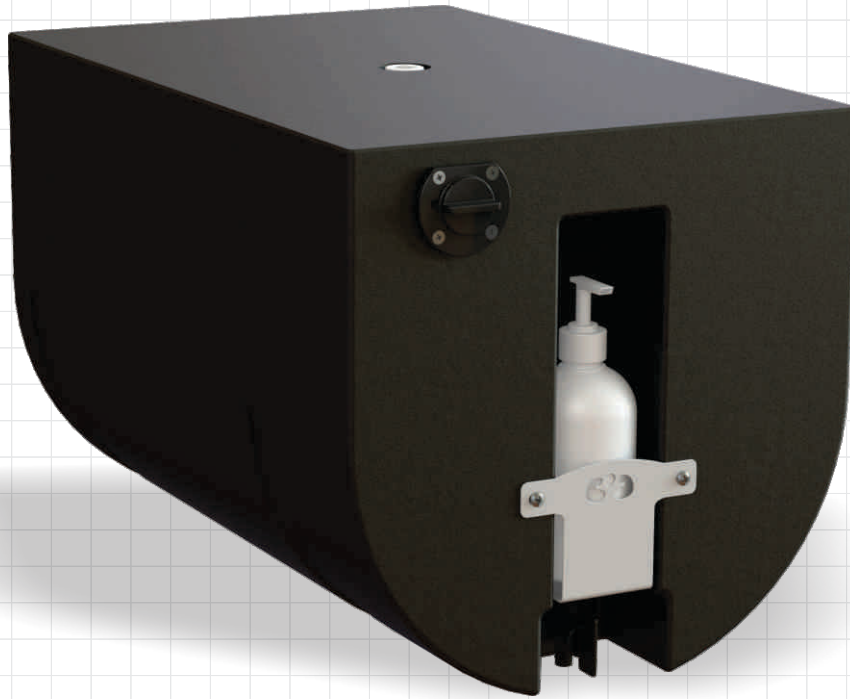


GOUGH PLASTICS

PRODUCT DATA SHEET



FBOX404.7000 70L TRUCK HANDWASH TANK



FEATURES

- + 70L Tank capacity.
- + Food grade Polyethylene.
- + Includes 500mL soap bottle.
- + Tank only - brackets not included.
- + Includes 3/4" poly tap.

NB: Dimensions may vary by plus or minus 3% due to the rotational moulding process.

COLOURS AVAILABLE



Black

NB: Actual colours may vary from how they are viewed in print and on screen.