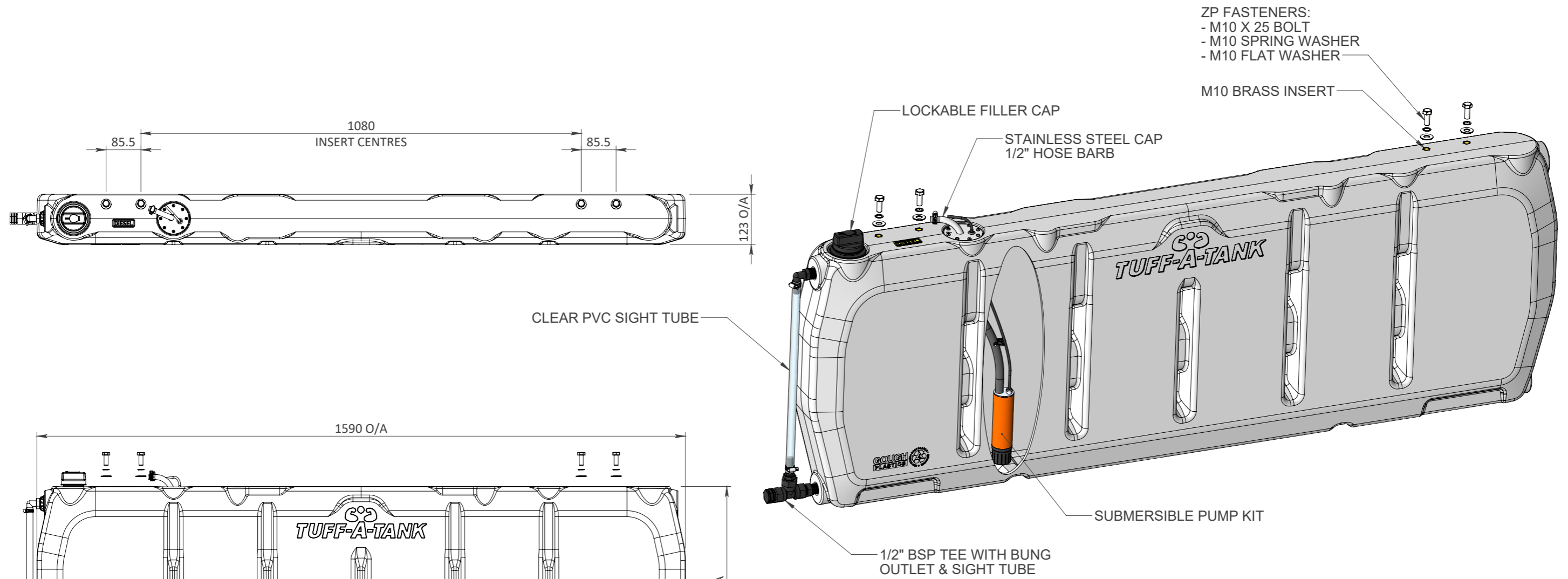


VS 65L CANOPY TANK SUBMERSIBLE DIESEL (INC. SUBMERSIBLE PUMP FITTED INSIDE TANK)

TOLERANCES
 UNLESS NOTED OTHERWISE
 PLEASE ALLOW BELOW TOLERANCES
 DIMENSIONS <200mm - ALLOW ± 5 mm
 DIMENSIONS 200 - 1000mm - ALLOW ± 10 mm
 DIMENSIONS >1000mm - ALLOW ± 15 mm



MATERIAL	DIESEL GRADE POLYETHYLENE
WEIGHT	13 KG APPROX DRY
COLOUR	STANDARD GREY
BRACKET KIT AVAILABLE	SOLD SEPARATELY
HOSE KIT AVAILABLE	SOLD SEPARATELY
HIGH FLOW LOW PRESSURE SUBMERSIBLE PUMP	12 V - 17 LPM

A	23/09/2021	SALES DRAWING	MC	DH		<p>A.C.N. 010 028 547 Gough Industries Pty. Ltd. 833 Ingham Road Bohle, Townsville P.O. Box 7570, Garbutt BC, Qld. 4814. Telephone 07 47747606 www.gough.com.au</p>	CLIENT LOGO.	VS - 65 L Canopy Tank Submersible DIESEL Sales		REVISION	
							SCALE	NTS	A3	GOUGH PLASTICS DRAWING No.	FBOX408.1006.5
REV	DATE	REVISION DESCRIPTION	DRAWN	CHKD.	ENG.	Dimensions are in millimetres (mm) unless noted.	SOLDWORKS: S:\Solidworks\Domestic\Slimlines\Vertical Slimlines\Canopy\VS - 65 L Canopy Tank Assem		PDF. FILE PATH: S:\Products\Domestic\Marketing Domestic\VS Tanks		