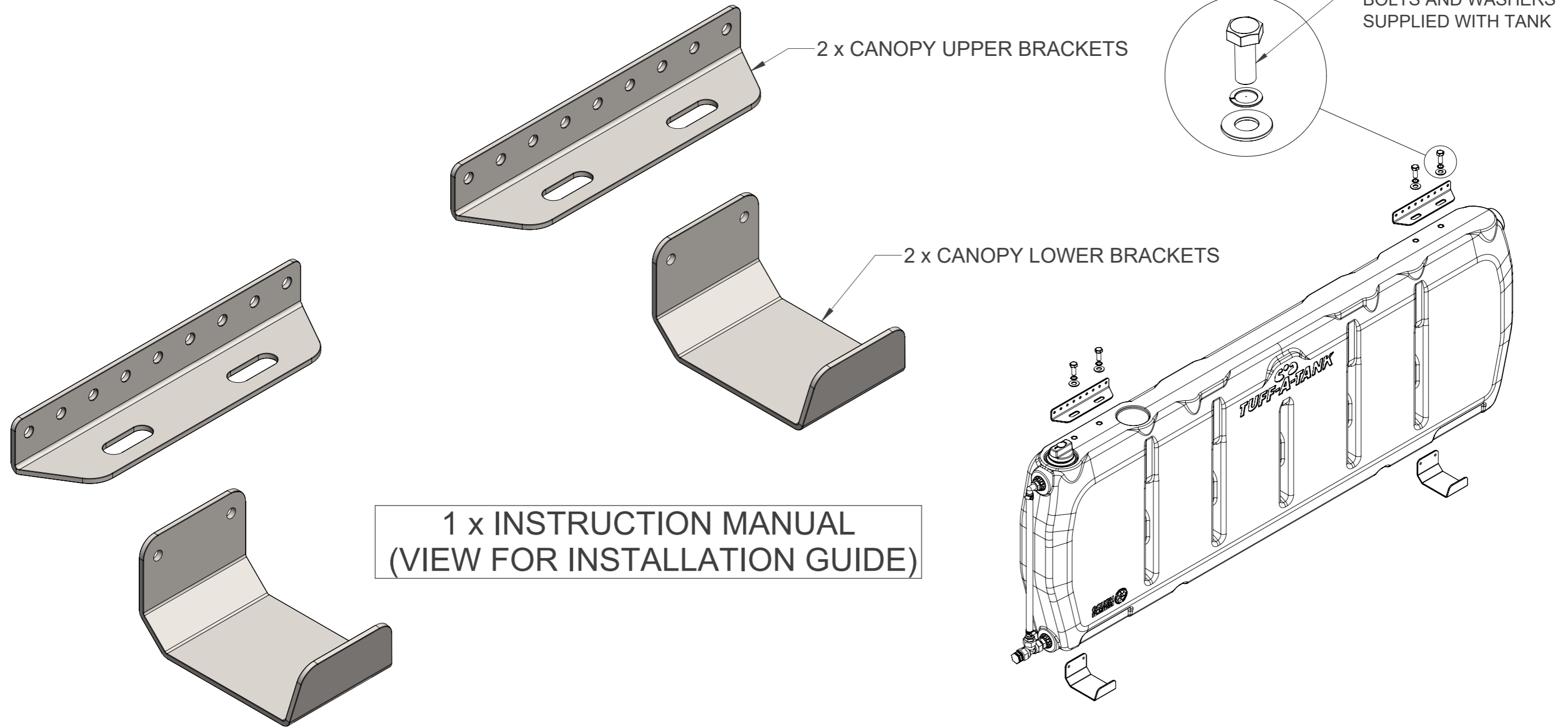


# VS BRACKET KIT

## 65 L CANOPY TANK



ITEM	DESCRIPTION	PART No.	QTY.
1	VS Canopy Upper Bracket	PARBKT0107.1	2
2	VS Canopy Lower Bracket	PARBKT0107	2

ALL BRACKETS 3 mm GAL SHEET

A	5/10/2021	KIT DRAWING	MC	DH		<p>A.C.N. 010 028 547 Gough Industries Pty. Ltd. 833 Ingham Road Bohle, Townsville P.O. Box 7570, Garbutt BC, Qld. 4814. Telephone 07 47747606 www.gough.com.au</p>	CLIENT LOGO.	VS 65 L Canopy Bracket Kit		REVISION
							SCALE	GOUGH PLASTICS DRAWING No.		
							NTS	A3	FBOX408.1006.6	A
							SOLDWORKS: S:\Solidworks\Parts Library\Brackets\Vertical Slim Brackets\VS 65 L Canopy Bracket Kit			
REV	DATE	REVISION DESCRIPTION	DRAWN	CHKD.	ENG.	Dimensions are in millimetres (mm) unless noted.	PDF. FILE PATH: S:\Products\Domestic\Procedures Domestic\Domestic Fitout\Domestic Fitout Spec Drawings\VS Tanks			