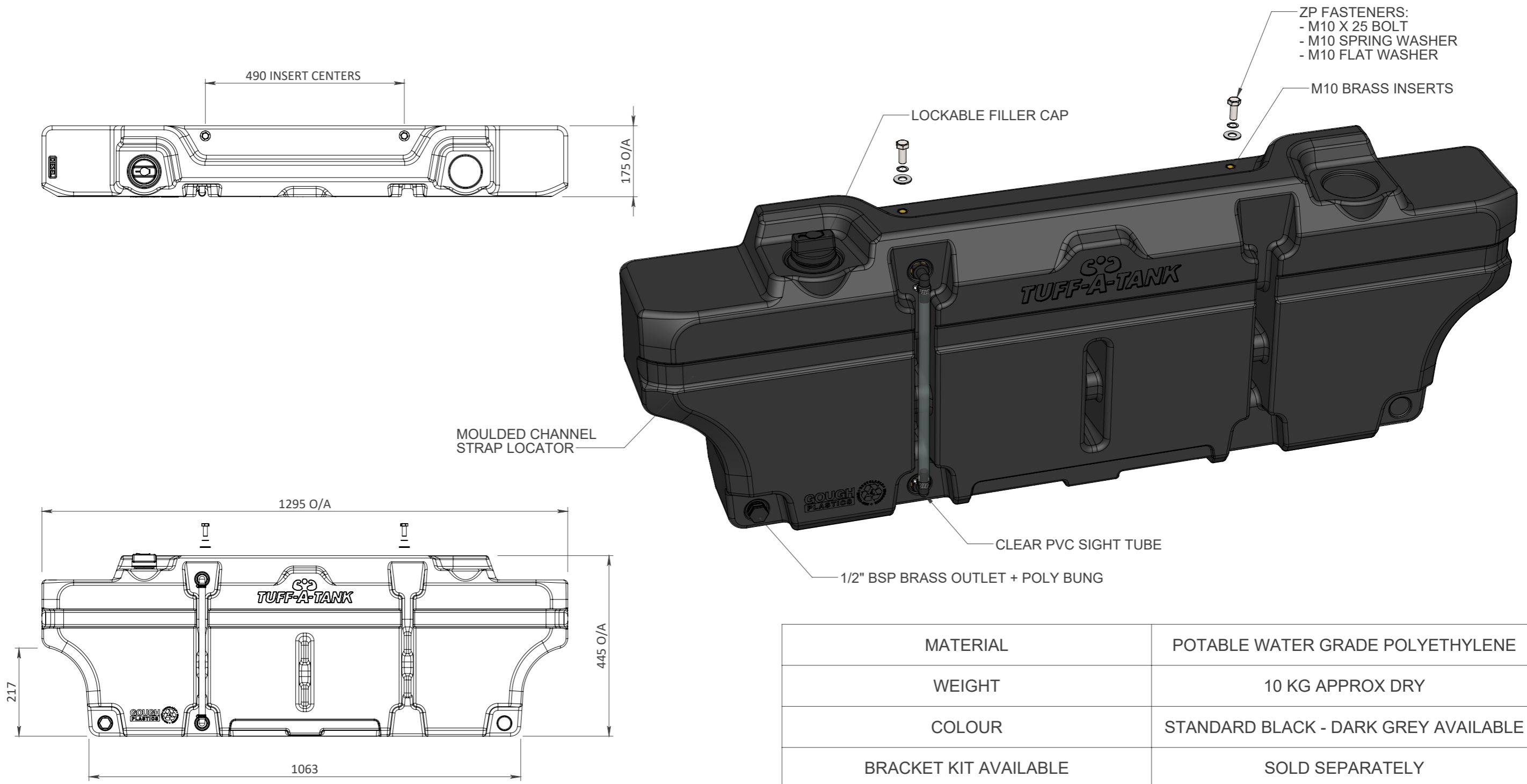


VS 55 L WELLBODY TANK ONLY WATER (INC. SIGHT TUBE)

TOLERANCES
UNLESS NOTED OTHERWISE
PLEASE ALLOW BELOW TOLERANCES
DIMENSIONS <200mm - ALLOW ± 5 mm
DIMENSIONS 200 - 1000mm - ALLOW ± 10 mm
DIMENSIONS >1000mm - ALLOW ± 15 mm



MATERIAL	POTABLE WATER GRADE POLYETHYLENE
WEIGHT	10 KG APPROX DRY
COLOUR	STANDARD BLACK - DARK GREY AVAILABLE
BRACKET KIT AVAILABLE	SOLD SEPARATELY
HOSE KIT AVAILABLE	SOLD SEPARATELY

RINSE TANK PRIOR TO USE

A	23/09/2021	SALES DRAWING	MC	DH		<p>A.C.N. 010 028 547 Gough Industries Pty. Ltd. 833 Ingham Road Bohle, Townsville P.O. Box 7570, Garbutt BC, Qld. 4814. Telephone 07 47747606 www.gough.com.au</p>	CLIENT LOGO.	VS - 55 L Wellbody Tank Only WATER Sales		REVISION		
							SCALE	NTS	A3	GOUGH PLASTICS DRAWING No.	FBOX408.1005	A
							SOLDWORKS: S:\Solidworks\Domestic\Slimlines\Vertical Slimlines\Wellbody\VS - 55 L Wellbody Tank Assem					
REV	DATE	REVISION DESCRIPTION	DRAWN	CHKD.	ENG.	Dimensions are in millimetres (mm) unless noted.	PDF. FILE PATH: S:\Products\Domestic\Marketing Domestic\VS Tanks					