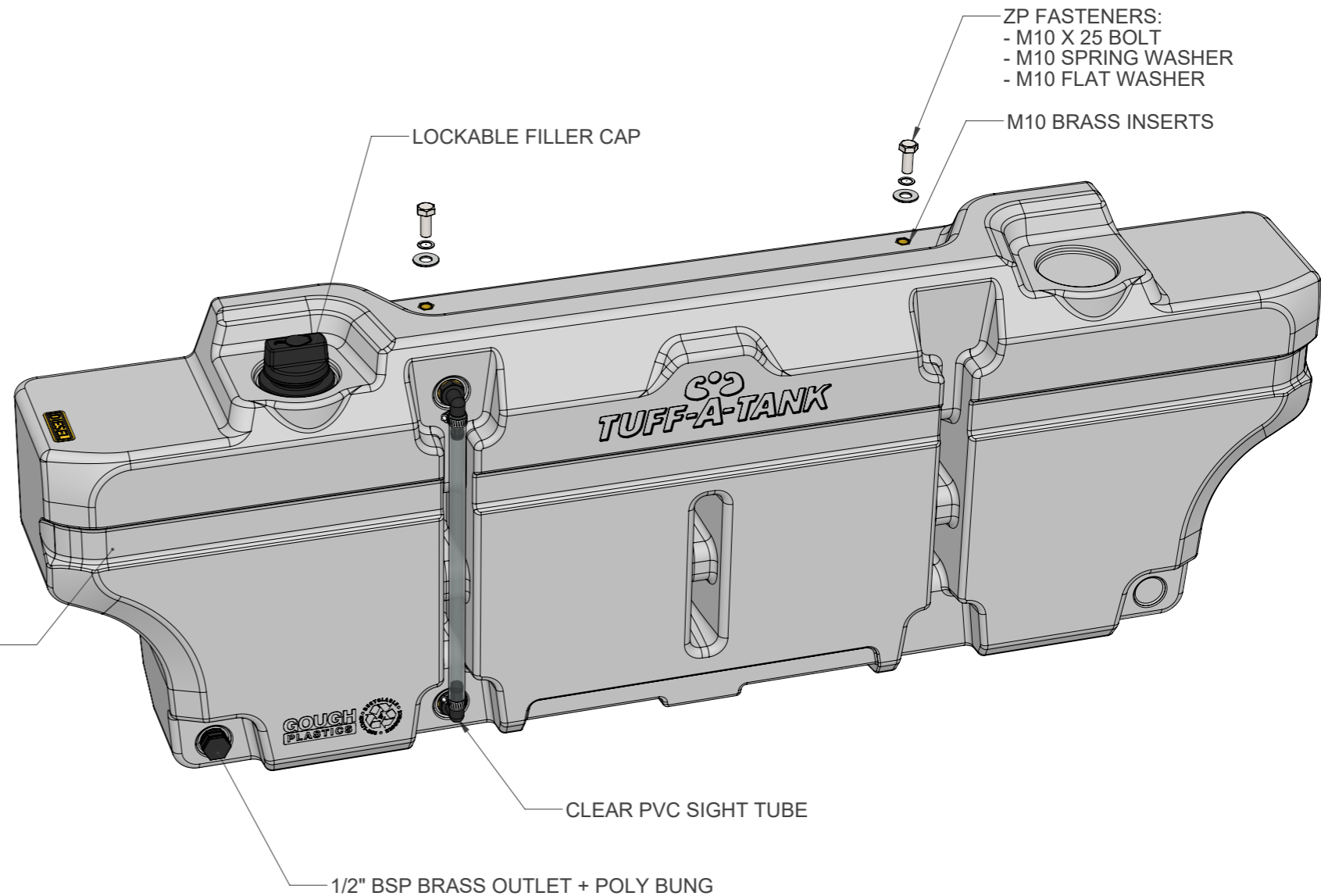
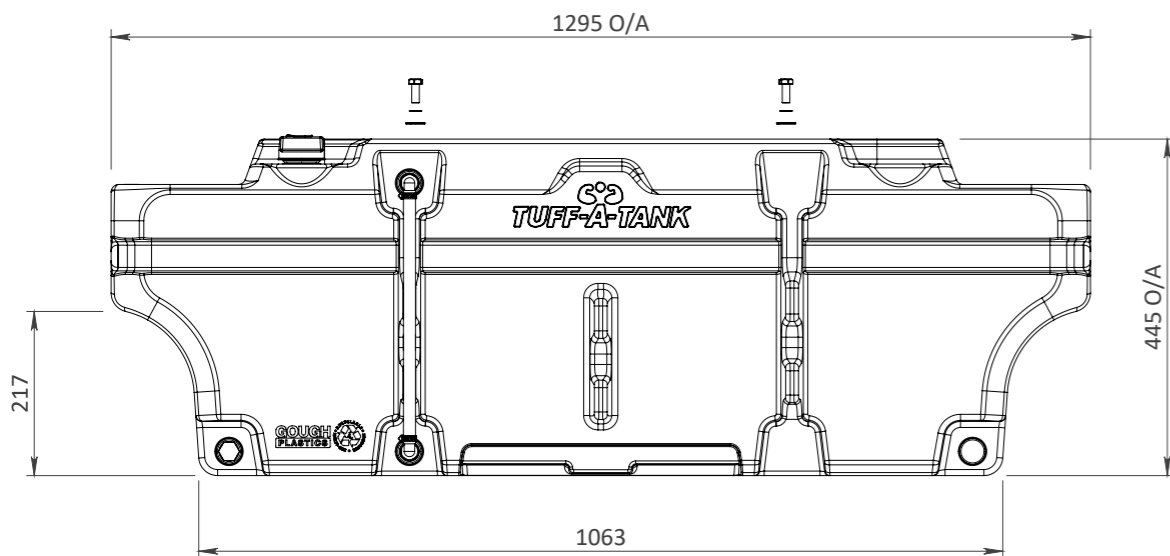
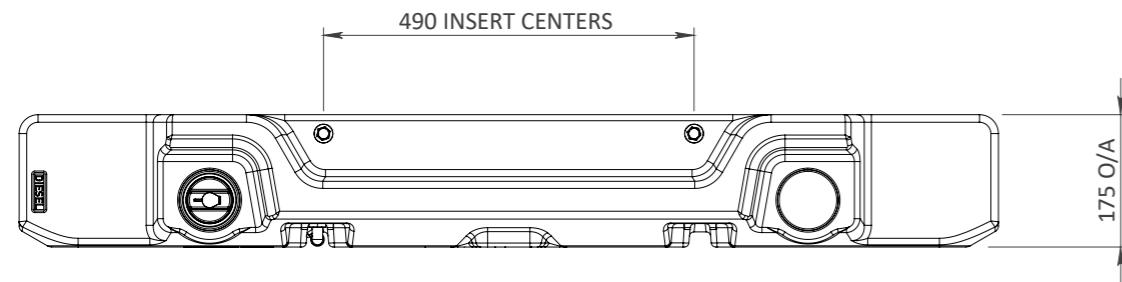


# VS 55 L WELLBODY TANK ONLY DIESEL (INC. SIGHT TUBE)

**TOLERANCES**  
UNLESS NOTED OTHERWISE  
PLEASE ALLOW BELOW TOLERANCES  
DIMENSIONS <200mm - ALLOW ± 5 mm  
DIMENSIONS 200 - 1000mm - ALLOW ± 10 mm  
DIMENSIONS >1000mm - ALLOW ± 15 mm



|                       |                           |
|-----------------------|---------------------------|
| MATERIAL              | DIESEL GRADE POLYETHYLENE |
| WEIGHT                | 10 KG APPROX DRY          |
| COLOUR                | STANDARD GREY             |
| BRACKET KIT AVAILABLE | SOLD SEPARATELY           |
| HOSE KIT AVAILABLE    | SOLD SEPARATELY           |

|     |            |                      |       |       |      |
|-----|------------|----------------------|-------|-------|------|
| A   | 23/09/2021 | SALES DRAWING        | MC    | DH    |      |
| REV | DATE       | REVISION DESCRIPTION | DRAWN | CHKD. | ENG. |



A.C.N. 010 028 547  
Gough Industries Pty. Ltd.  
833 Ingham Road  
Bohle, Townsville  
P.O. Box 7570, Garbutt BC, Qld. 4814.  
Telephone 07 47747606  
www.gough.com.au

|   |   |  |          |
|---|---|--|----------|
| CLIENT LOGO.  | VS - 55 L Wellbody Tank Only DIESEL Sales |  | REVISION |
| SCALE   | NTS                                       | A3   | A        |
| SOLDWORKS: S:\Solidworks\Domestic\Slimlines\Vertical Slimlines\Wellbody\VS - 55 L Wellbody Tank Assem |   | GOUGH PLASTICS DRAWING No. <b>FBOX408.1005.1</b> |          |
| PDF. FILE PATH: S:\Products\Domestic\Marketing Domestic\VS Tanks                                      |   |  |          |

Dimensions are in millimetres (mm) unless noted.