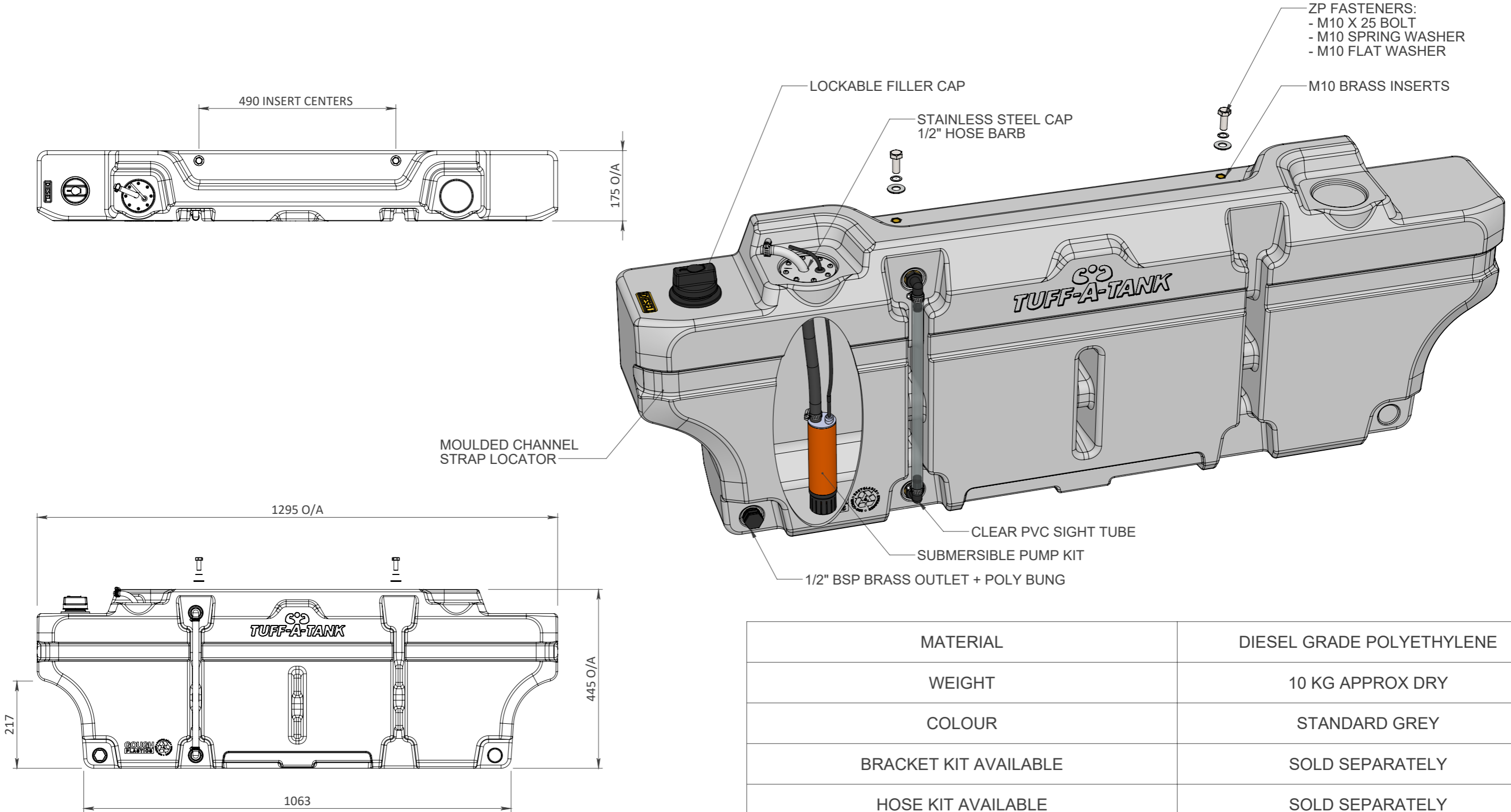


VS 55L WELLBODY TANK SUBMERSIBLE DIESEL (INC. SUBMERSIBLE PUMP FITTED INSIDE TANK)

TOLERANCES
UNLESS NOTED OTHERWISE
PLEASE ALLOW BELOW TOLERANCES
DIMENSIONS <200mm - ALLOW ± 5 mm
DIMENSIONS 200 - 1000mm - ALLOW ± 10 mm
DIMENSIONS >1000mm - ALLOW ± 15 mm



MATERIAL	DIESEL GRADE POLYETHYLENE
WEIGHT	10 KG APPROX DRY
COLOUR	STANDARD GREY
BRACKET KIT AVAILABLE	SOLD SEPARATELY
HOSE KIT AVAILABLE	SOLD SEPARATELY
HIGH FLOW LOW PRESSURE SUBMERSIBLE PUMP	12 V - 17 LPM

A	23/09/2021	SALES DRAWING	MC	DH	
REV	DATE	REVISION DESCRIPTION	DRAWN	CHKD.	ENG.

**GOUGH
PLASTICS**

A.C.N. 010 028 547
Gough Industries Pty. Ltd.
833 Ingham Road
Bohle, Townsville
P.O. Box 7570, Garbutt BC, Qld. 4814.
Telephone 07 47747606
www.gough.com.au

Dimensions are in millimetres (mm) unless noted.

CLIENT LOGO.

VS - 55 L Wellbody Tank Submersible DIESEL Sales

SCALE: NTS A3

GOUGH PLASTICS DRAWING No. **FBOX408.1005.5**

REVISION: **A**

SOLDWORKS: S:\Solidworks\Domestic\Slimlines\Vertical Slimlines\Wellbody\VS - 55 L Wellbody Tank Assem

PDF FILE PATH: S:\Products\Domestic\Marketing Domestic\VS Tanks