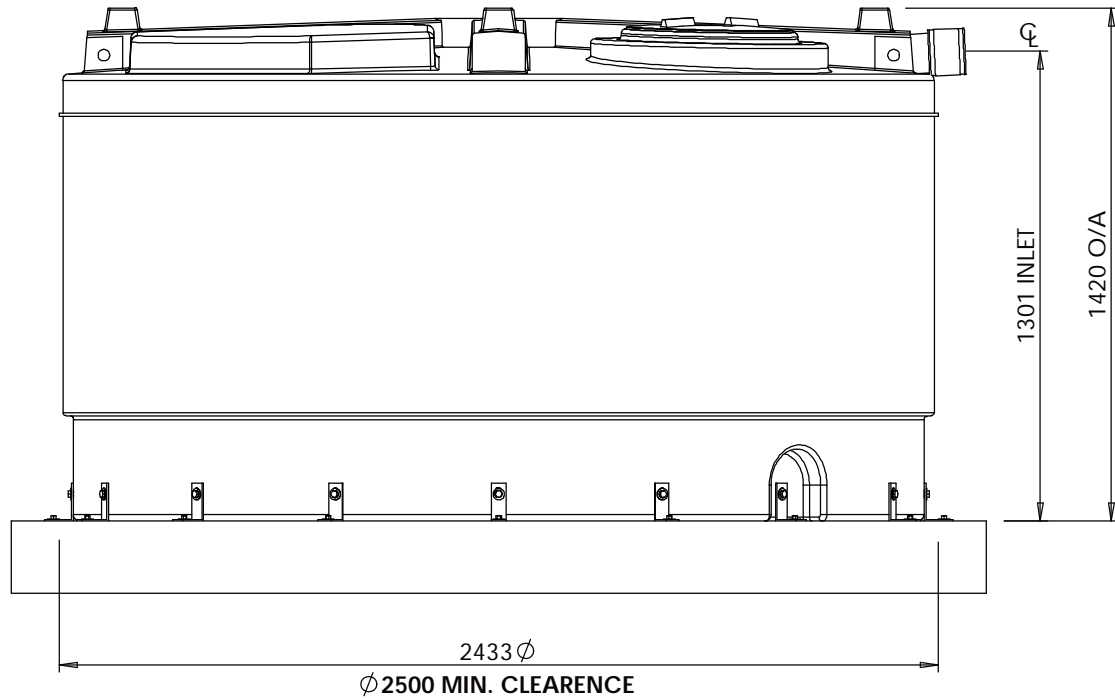
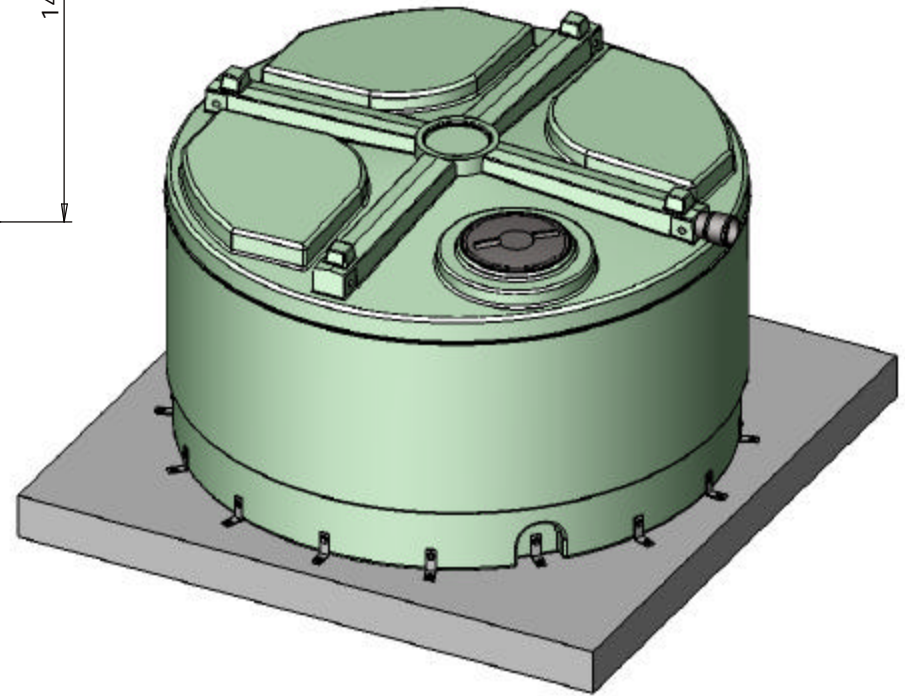


DO NOT SCALE

DIMENSIONS MAY VARY BY PLUS OR MINUS 2.5%
DUE TO THE ROTATIONAL MOULDING PROCESS



FRONT VIEW



TRIMETRIC VIEW

**INLET PIPE 100mm DWV
C/W FERNCO COUPLING**

No.	DATE	BY	DESCRIPTION	GOUGH
			REVISION	APPROV.



Gough Industries Pty. Ltd.
833 Ingham Road
Bohle, Townsville
P.O. Box 7570, Garbutt BC, Qld. 4814
Telephone 07 47747606
Facsimile 07 47747608
A.C.N. 010 028 547

This drawing remains the property of Gough Industries Pty. Ltd. It is subject to Gough Industries Pty. Ltd.'s recall and must not be reproduced in part or whole or it's contents divulged to third parties without prior written approval from Gough Industries Pty Limited.

Signature	Date
S.NAGY	31.01.04
DRN. CHK	
ENGINEER	
ENG. CHK	
Eng. APPROVAL	

5500 LT HOLDING TANK

COMPONENT DETAILS

SCALE 1:20 A4 HTSGP0010-05

CAD FILE: H:\HYBRID TOILET SYSTEM\H.T.S Components\

1

2

3

4

5

6