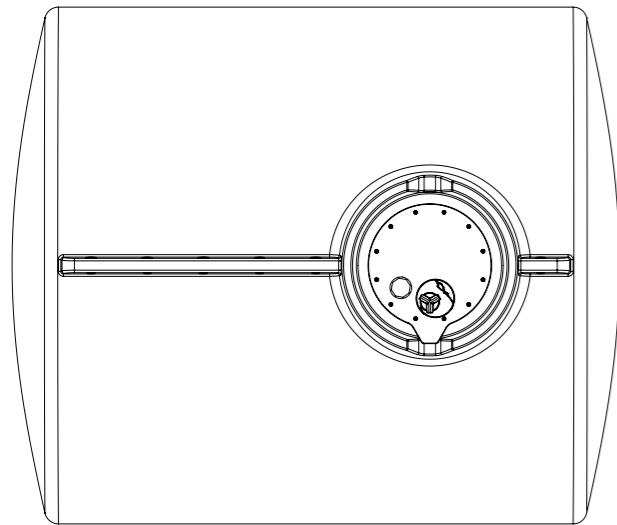


## 5,000L DIESEL CARTAGE TANK

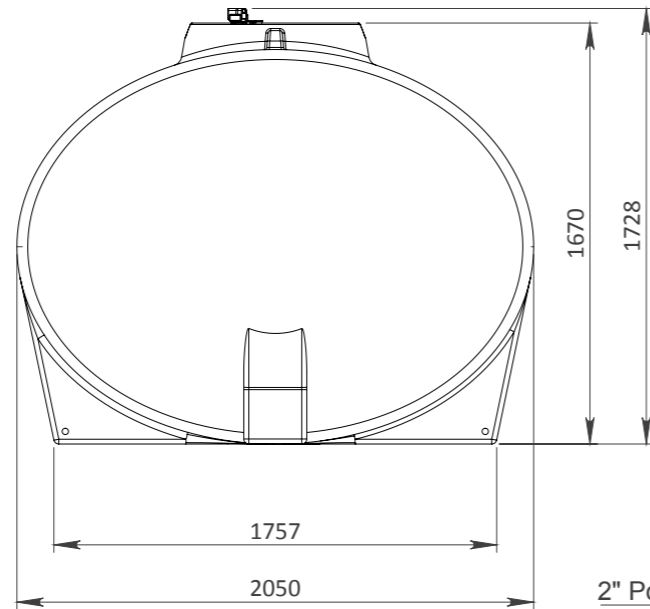
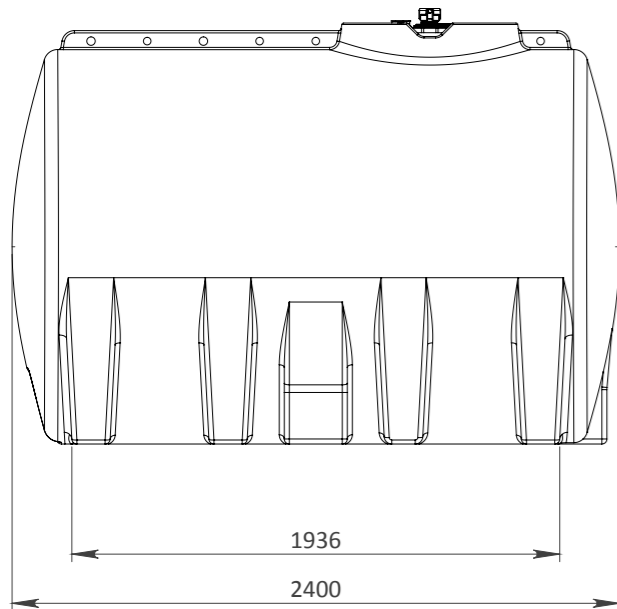
**TOLERANCES**  
 NOTE: UNLESS NOTED OTHERWISE,  
 PLEASE ALLOW DIMENSIONAL TOLERANCES  
 DUE TO FABRICATION PROCESS AND  
 POLYETHYLENE THERMAL EXPANSION  
 DIMENSIONS <200mm - ALLOW ±3mm  
 DIMENSIONS 200 - 1000mm - ALLOW ± 5mm  
 DIMENSIONS >1000mm - ALLOW ± 10mm

MARK	PART	MATERIAL	PART CODE	DRAWING REF.
1	5,000L DIESEL CARTAGE TANK	GREY DIESEL GRADE POLYETHYLENE	FFAR500.5053	
2	DIESEL MANHOLE	INC. FILLER & BREATHER	FFAR500.6000	FFAR500.6000

DRY WEIGHT: 255 KG APPROX.

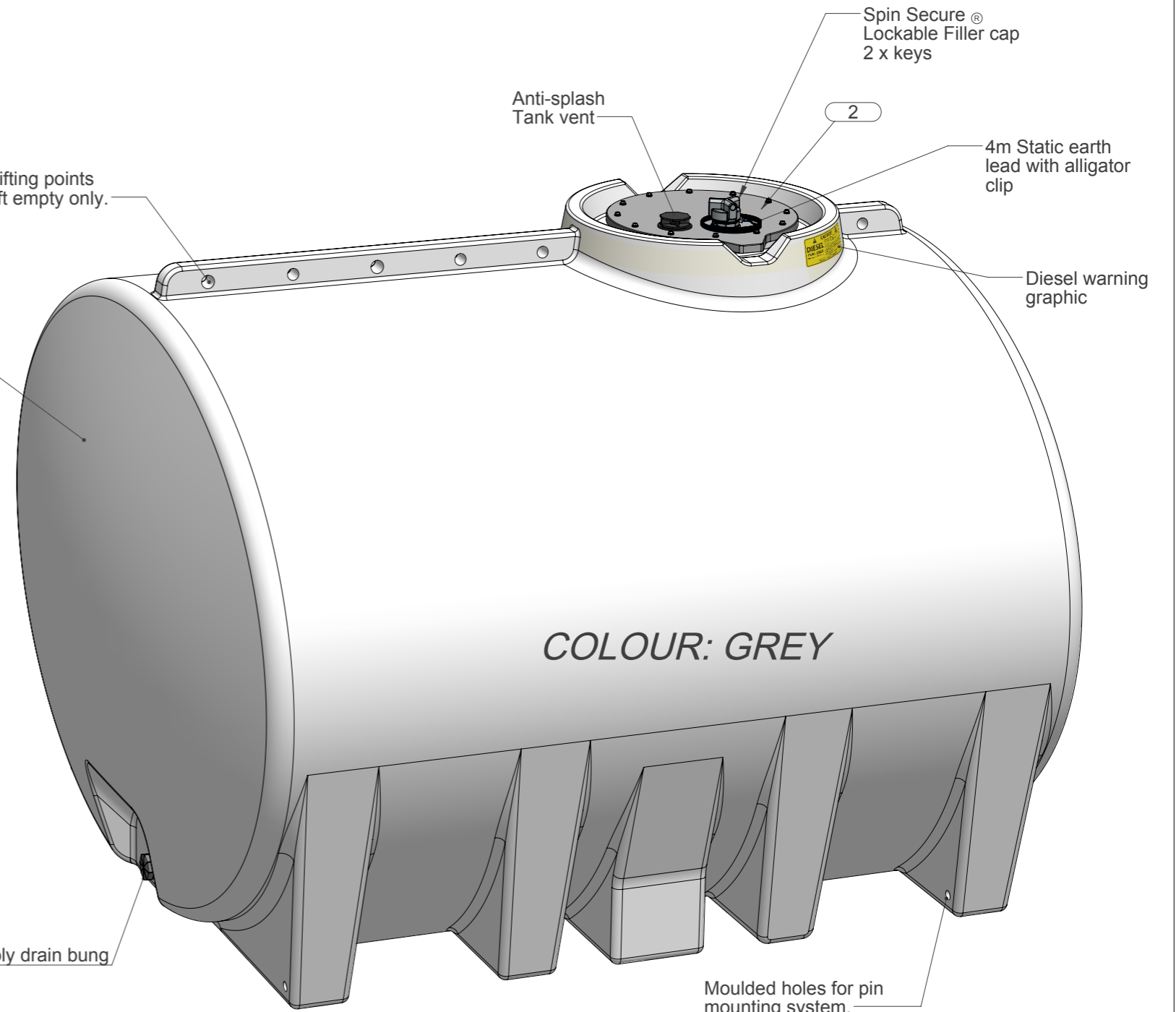


Manufactured in accordance with relevant standards (applicable sections)  
 AS1940-2017 Storage and handling of flammable and combustible liquids  
 AS/NZS1020-1995 Control of undesirable static electricity



Tie-down / lifting points  
 Warning: Lift empty only.

1



Moulded holes for pin mounting system.

REV	DATE	REVISION DESCRIPTION	DRAWN	CHKD	LEAD ENG
A	16.10.18	AS BUILT	DH	JG	