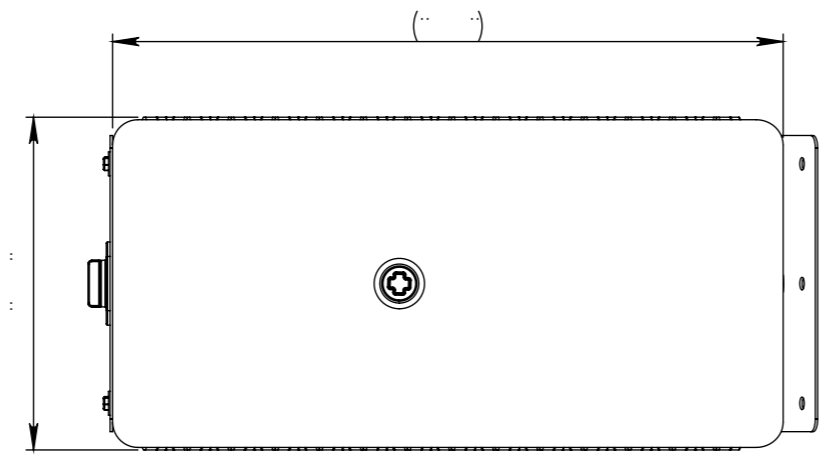
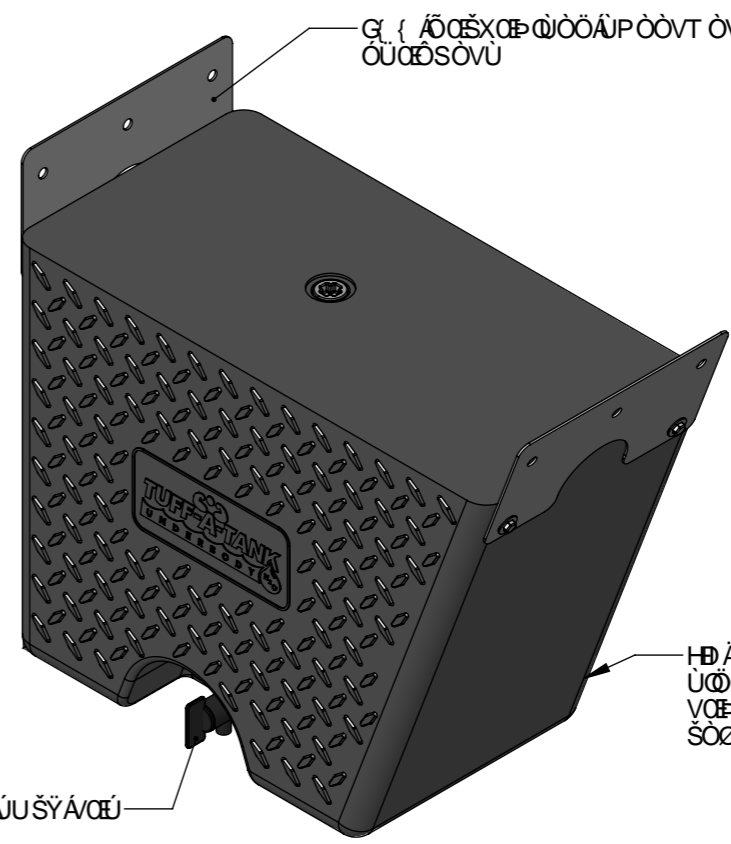


u\Qk"V#-o  
 V\u- yVQooV\u-) \u=-kt @-  
 hQ"o- "Ω† ) @-Vo@V" Ou\Qk"V#-o  
 )y- ul " k@u@V @h\0 -u='GV- o=k@M8-  
 )yk@8u=- k\ u" u@V" OU\yQ @8hk\#-oo  
 ) @-Vo@Vo " "Ω† ±  
 ) @-Vo@Vo " "Ω† ±  
 ) @-Vo@Vo " "Ω† ±



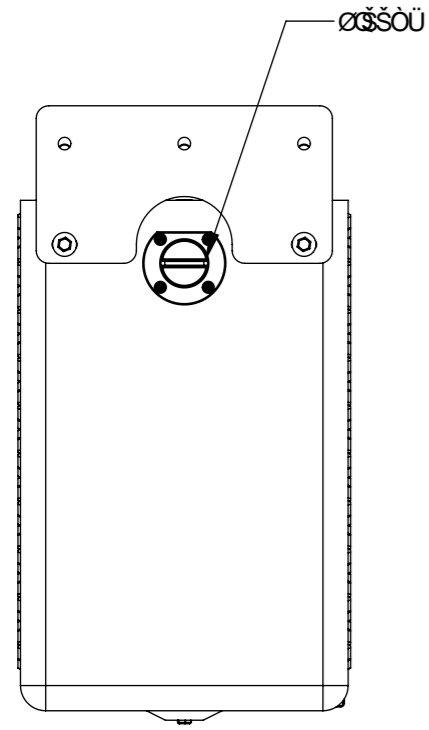
VUÚÁΧΩΥ



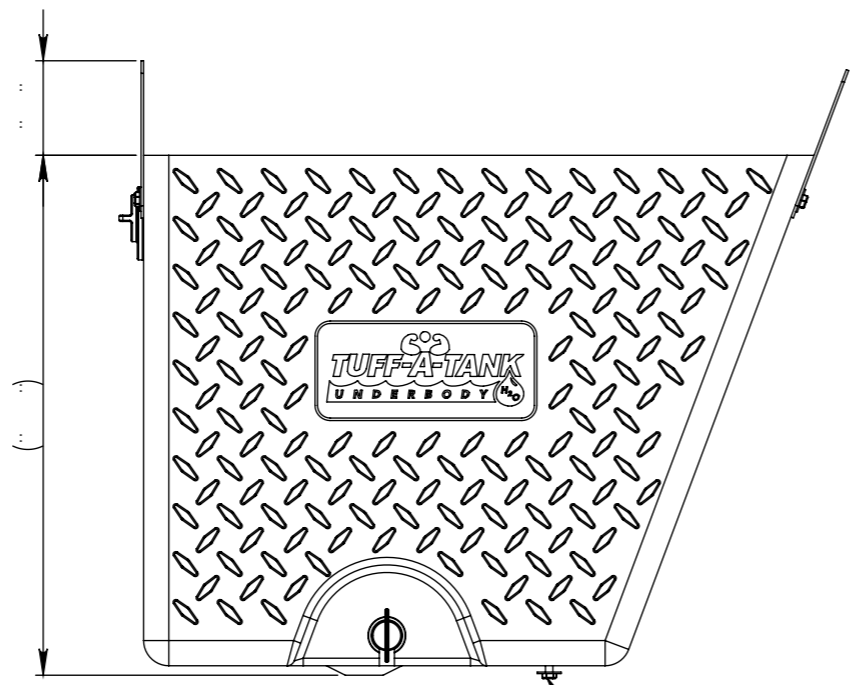
Γ. ( ΔΟΞΧΩΠΩΟΔΪΡΟΔΥΤ ΟΥΟΞ ΣΟΥ

ΗΒ ΔΪΣΨΑΩΠ ΡΔΪΡΑΪ ΪΪΪΪΪΪΪ  
 ΪΪΪΪΪ ΪΪΪΪΪΪΪ ΪΪΪΪΪ ΪΪΪΪΪ  
 ΪΪΪ ΪΪΪ ΪΪΪ ΪΪΪ ΪΪΪ ΪΪΪ  
 ΣΩΝΑΪ ΪΪΪ ΪΪΪ ΪΪΪ ΪΪΪ ΪΪΪ

ΗΒ ΔΪΣΨΑΩΪ

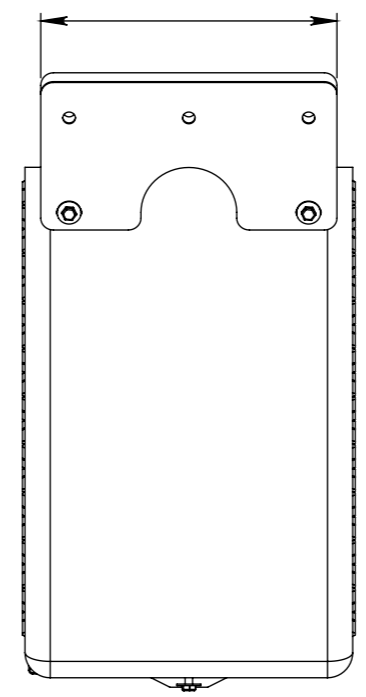


ΩΪΪΡΪΧΩΥ



ΪΪΪΪΪΪ

FE ( ΔΪΪΪΪΪΪ ΪΪΪΪΪΪ  
 ΪΪΪΪΪ ΪΪΪΪΪΪ ΪΪΪΪΪ



ΪΪΪΪΪΪ

o"y@

5	&-"\$*% 5G6l @H	8<			
F9J	85H9 F9J €€ B 89G7 F ΔHC B	8F5K B	7<?8	€58 9B;	

**GOUGH PLASTICS**

5"7"b" \$9\$ \$8, ) (+  
 ; ci [ \ \$Xl gff]gDmf"@X"  
 , "' b[ \Ua FcUX  
 6c\YZHk bg ]Y  
 D'C"6cl "+)+SZ: UVI th67ZE X" (, %"  
 H'Yd\cbY \$+(+("+S\*  
 :UVg@ JY \$+(+("+S,

7@9H€: C"	(\$@I B 89F 6C 8MK 5H9F 'H5B? !'7 <97 ?9F			
	75@9 BHG	5'	ci [ \ DUgMg8f["Bc"	6C L ( \$%( \$\$\$!\$% 5
o h ) y	Q"†uo 'U			