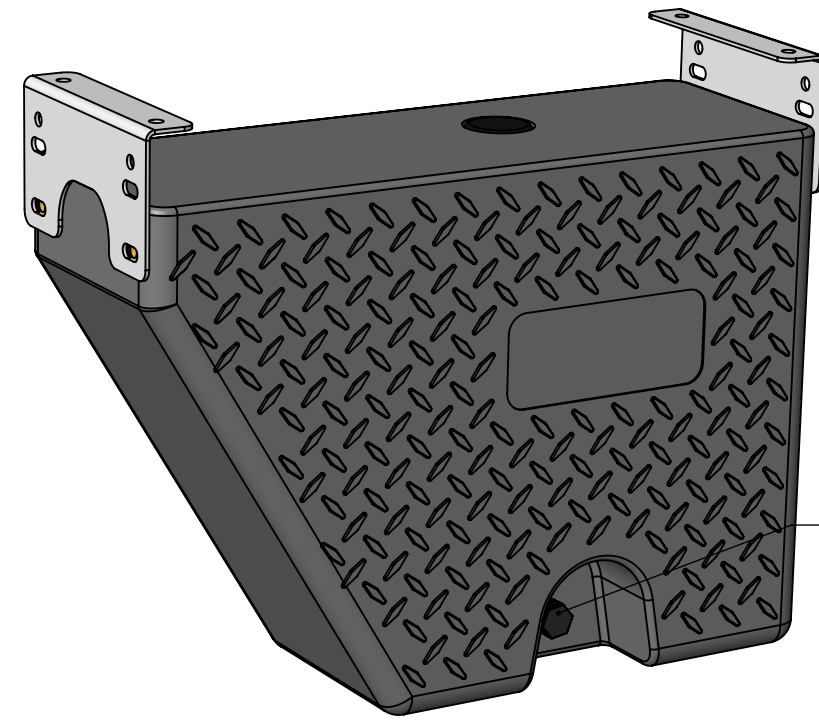
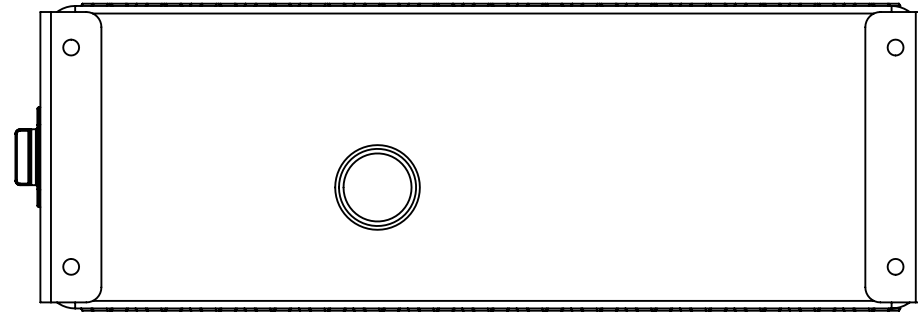


30L Underbody Water Tank Universal Left and Right hand mounting.



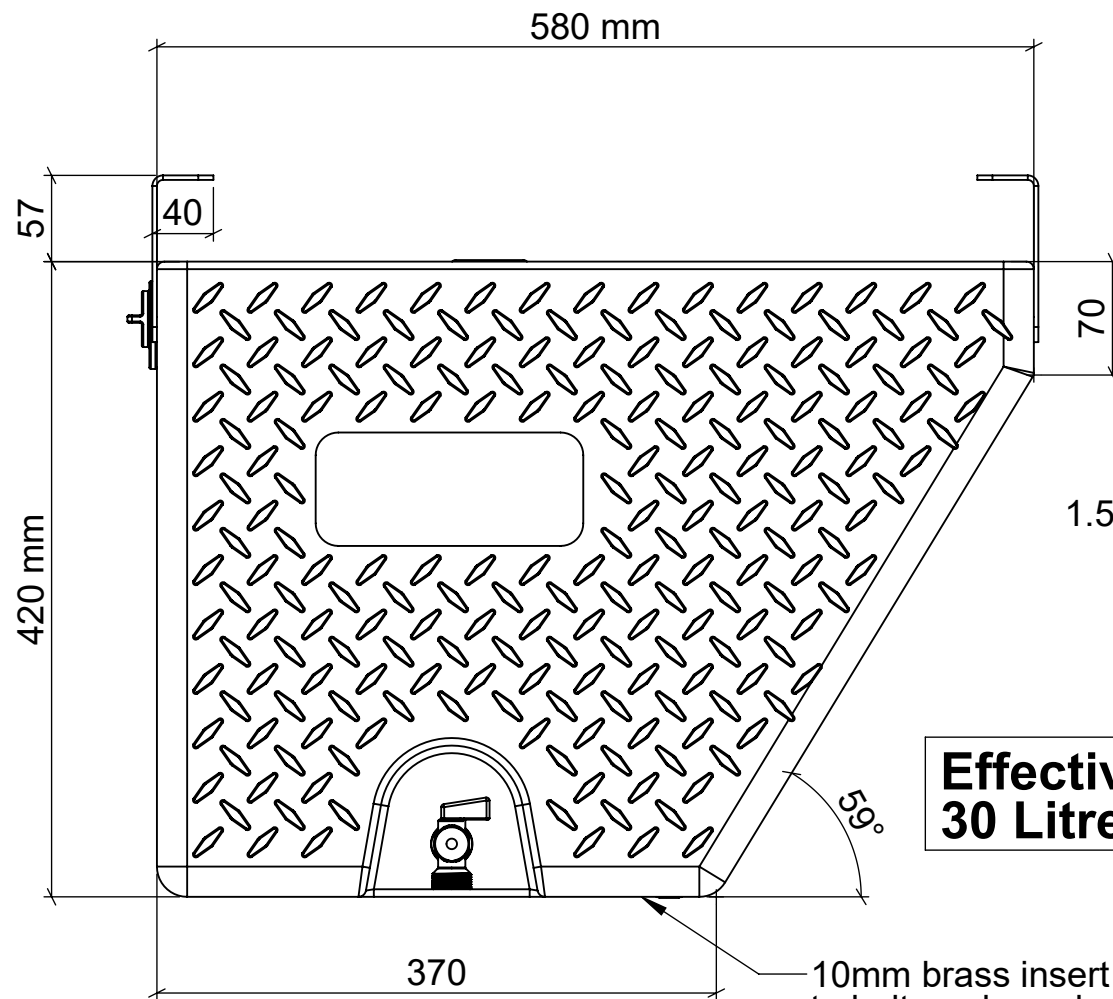
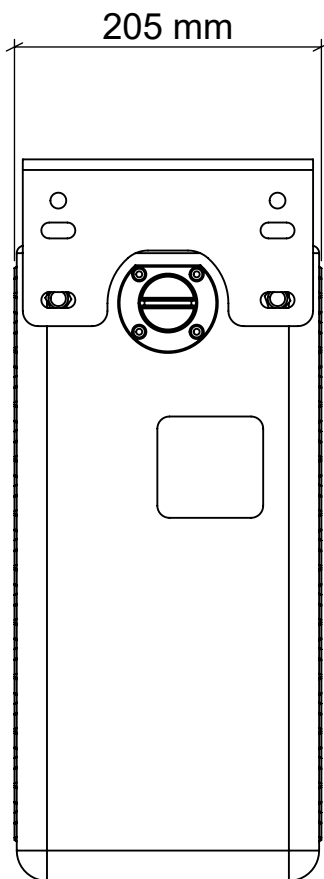
1/2" Poly bung into 1/2" Brass insert

Chequer plate finish both sides.

10mm S/S bolts into 10mm brass inserts.

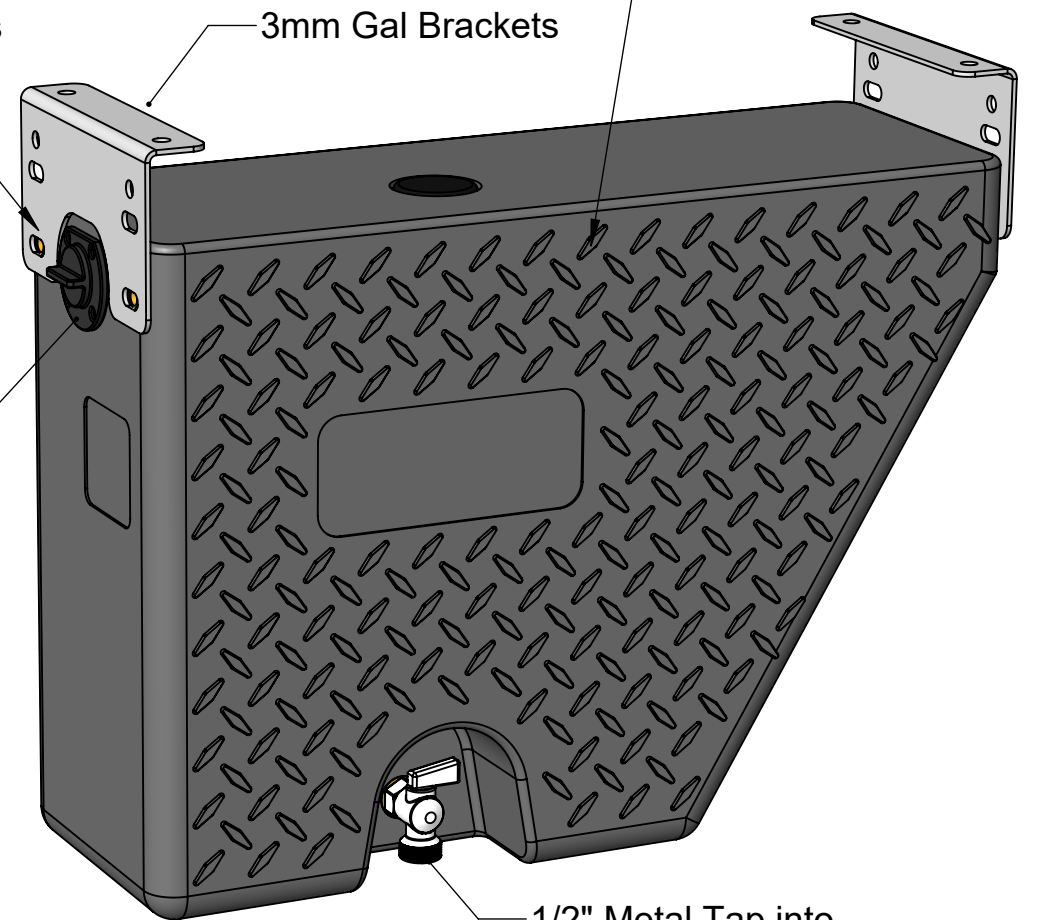
3mm Gal Brackets

1.5" Filler bung



**Effective Volume
30 Litres**

10mm brass insert underneath to bolt mudguard strap to.



1/2" Metal Tap into 1/2" Brass insert thread.

A	21.03.12	DH	FIRST ISSUE	
No.	DATE	BY	DESCRIPTION	GOUGH
			REVISION	APPROV.

GP
AUSTRALIA
GOUGH PLASTICS
Custom Rotational Moulders

Gough Industries Pty. Ltd.
833 Ingham Road
Bohle, Townsville
P.O. Box 7570, Garbutt BC, Qld. 4814.
Telephone 07 47747606
Facsimile 07 47747608
A.C.N. 010 028 547

This drawing remains the property of Gough Industries Pty. Ltd. It is subject to Gough Industries Pty. Ltd.'s recall and must not be reproduced in part or whole or its contents divulged to third parties without prior written approval from Gough Industries Pty Limited.

DRAWN	Signature	Date
DRN. CHK	D.HOLLIER	21.03.12
ENGINEER	B.RITCHIE	21.03.12
ENG. CHK		
Eng. APPROVAL		
CONTROLLED DOCUMENT		NO

30L Chequer Plate Underbody Water Tank		
Product Drawing		
SCALE	A3	Gough Plastics Drg. No. BOX-30LUBWT-001
		A
S:\Sales\Domestic\Sales & Marketing\FBOX401.3001 30L Chequer Plate Underbody Water Tank		