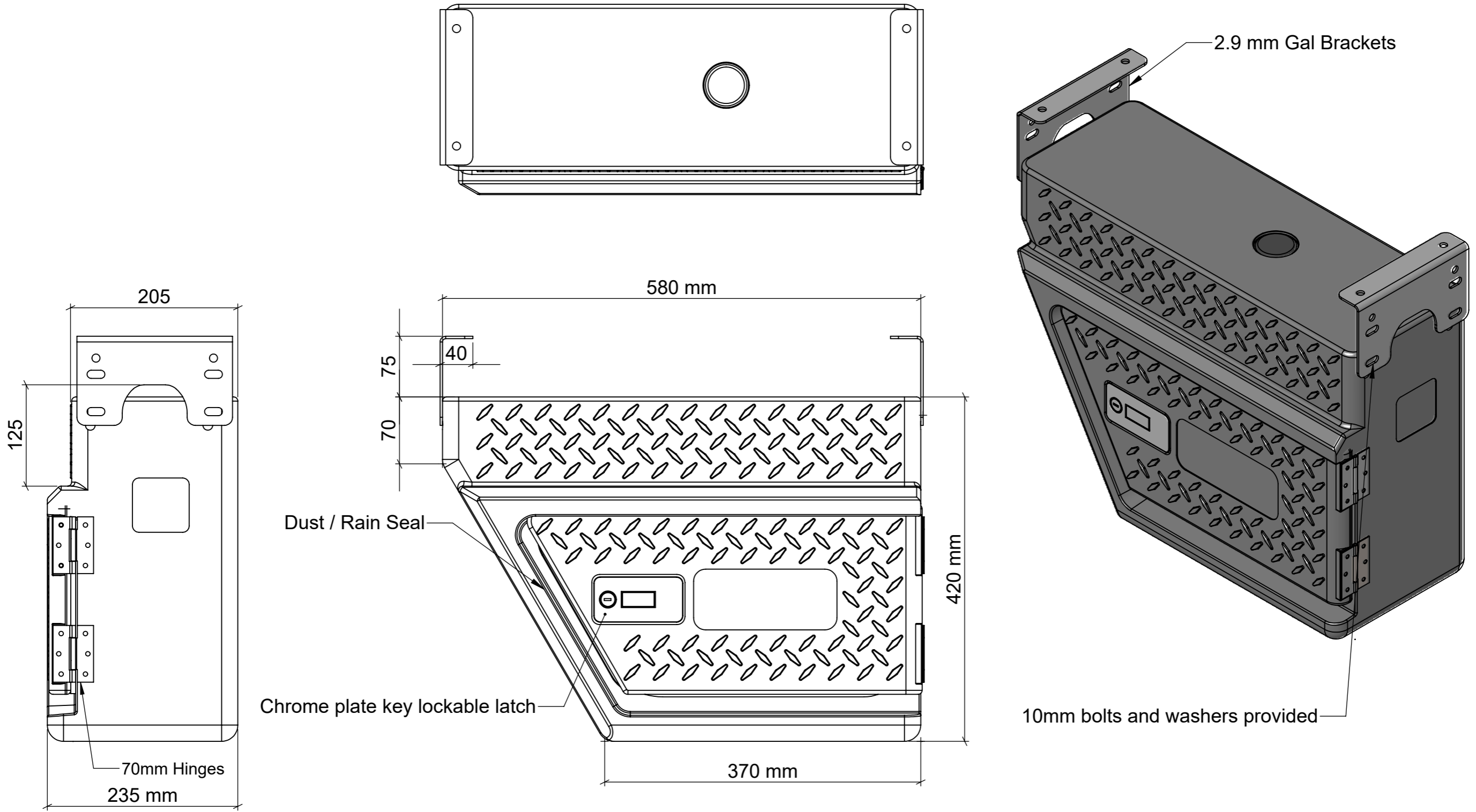


30L Underbody Tool Box Right Hand Side

PLEASE NOTE: DIMENSIONS MAY VARY BY PLUS OR MINUS 3% DUE TO THE MOULDING PROCESS



A	23.04.12	DH	FIRST ISSUE		 <p>Gough Industries Pty. Ltd. 833 Ingham Road Bohle, Townsville P.O. Box 7570, Garbutt BC, Qld. 4814. Telephone 07 47747606 Facsimile 07 47747608 A.C.N. 010 028 547</p>	Signature	M.COZZI	Date	03/06/21	30L Chequer Plate Underbody Toolbox_ Right Hand Side Product Drawing				
B	03/06/21	MC	SALES DRAWING	DH		DRN. CHK	D.HOLLIER	03/06/21						
						ENG. CHK								
No.	DATE	BY	DESCRIPTION	GOUGH	This drawing remains the property of Gough Industries Pty. Ltd. It is subject to Gough Industries Pty. Ltd.'s recall and must not be reproduced in part or whole or it's contents divulged to third parties without prior written approval from Gough Industries Pty Limited.	Eng. APPROVAL				SCALE	A3	Gough Plastics Drg. No. BOX-30LUBTB-002	B	REV
			REVISION	APPROV.		CONTROLLED DOCUMENT		NO			S:\Solidworks\Domestic\Underbodies\30 L Underbody Water Tank\			