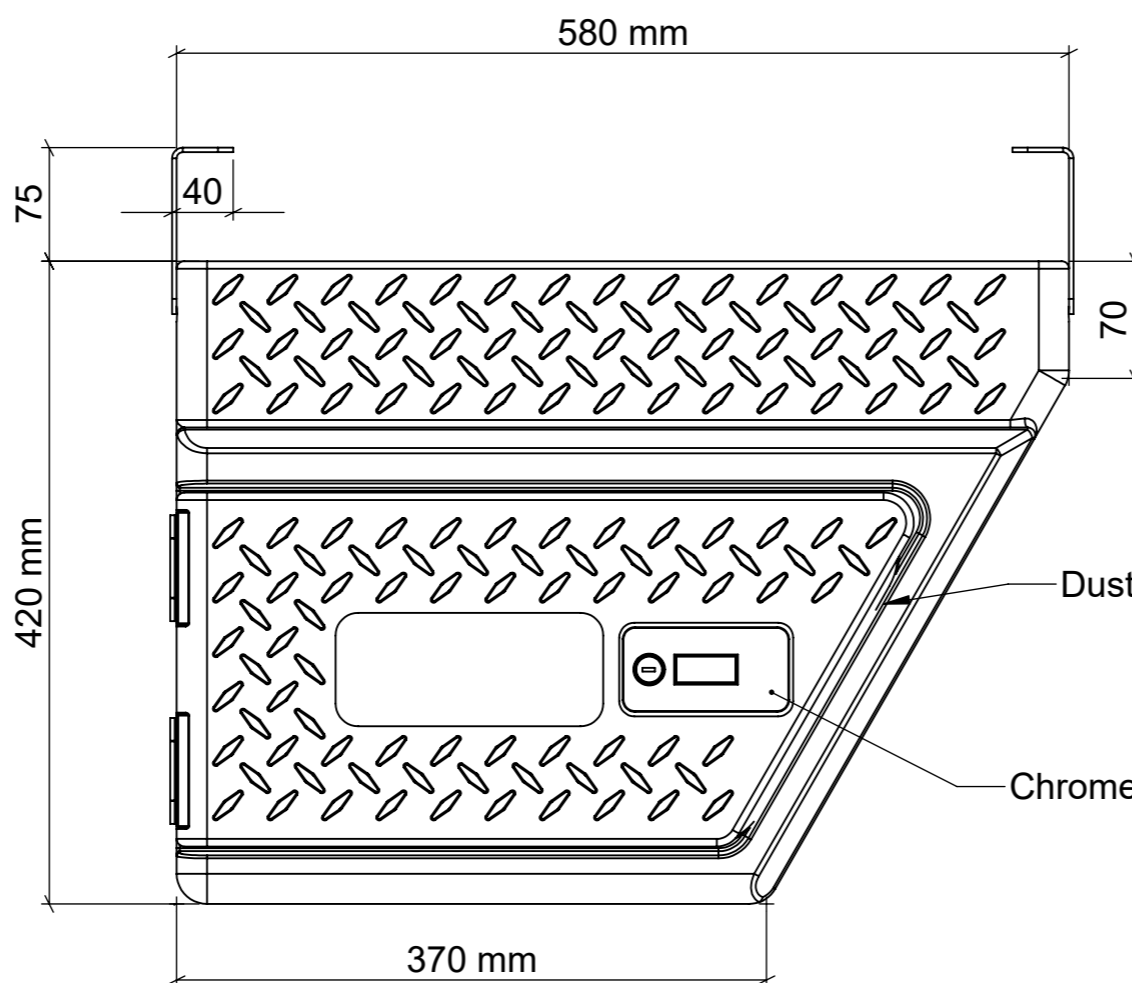
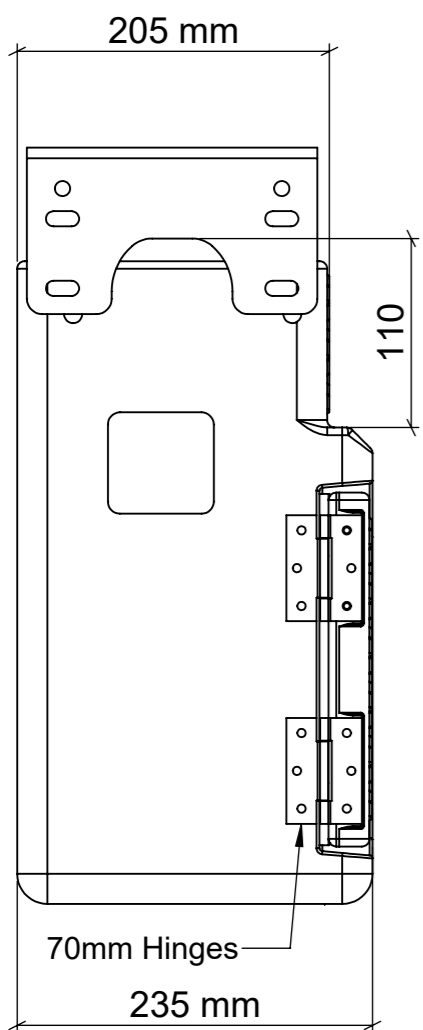
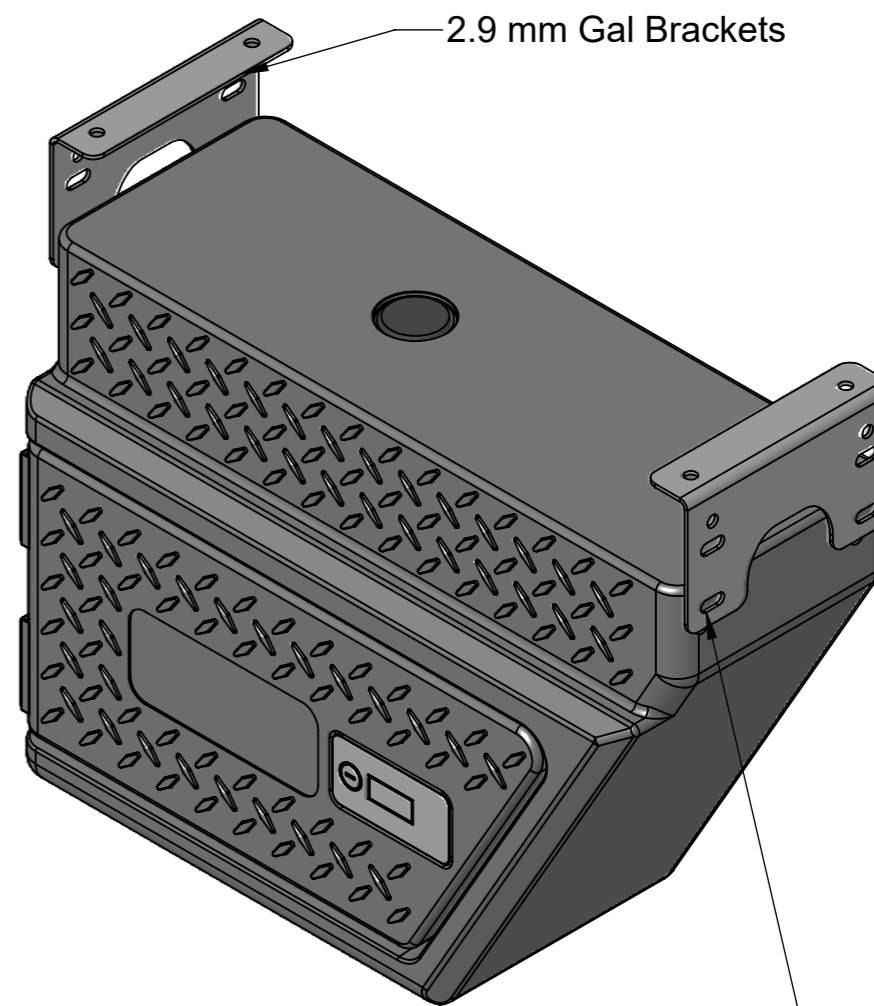
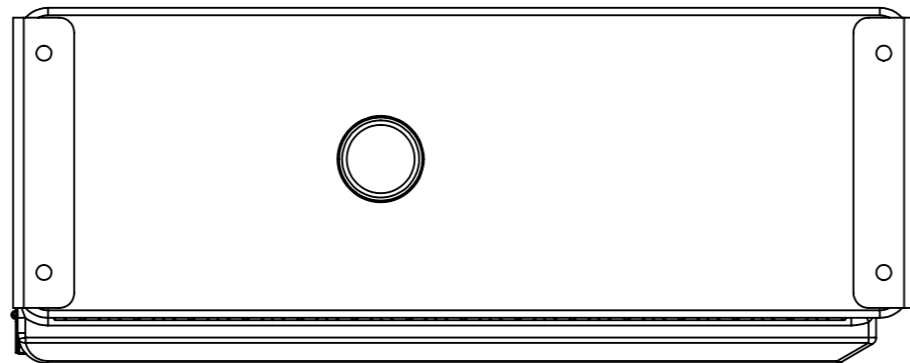


30L Underbody Tool Box Left Hand Side

PLEASE NOTE: DIMENSIONS MAY VARY BY PLUS OR MINUS 3% DUE TO THE MOULDING PROCESS



2.9 mm Gal Brackets

Dust / Rain Seal

10mm bolts and washers provided

Chrome plate key lockable latch

A	23.04.12	DH	FIRST ISSUE		 <p>Gough Industries Pty. Ltd. 833 Ingham Road Bohle, Townsville P.O. Box 7570, Garbutt BC, Qld. 4814. Telephone 07 47747606 Facsimile 07 47747608 A.C.N. 010 028 547</p>	Signature	Date	30L Chequer Plate Underbody Toolbox_ Left Hand Side Product Drawing					
B	03/06/21	MC	SALES DRAWING			DRN. CHK	M.COZZI				3/06/21		
						ENGINEER	D.HOLLIER				3/06/21		
						ENG. CHK							
No.	DATE	BY	DESCRIPTION	GOUGH	This drawing remains the property of Gough Industries Pty. Ltd. It is subject to Gough Industries Pty. Ltd.'s recall and must not be reproduced in part or whole or it's contents divulged to third parties without prior written approval from Gough Industries Pty Limited.	Eng. APPROVAL			SCALE	A3	Gough Plastics Drg. No. BOX-30LUBTB-001	B	REV
			REVISION	APPROV.		CONTROLLED DOCUMENT		NO		S:\Solidworks\Domestic\Underbodies\30 L Underbody Water Tank\			