

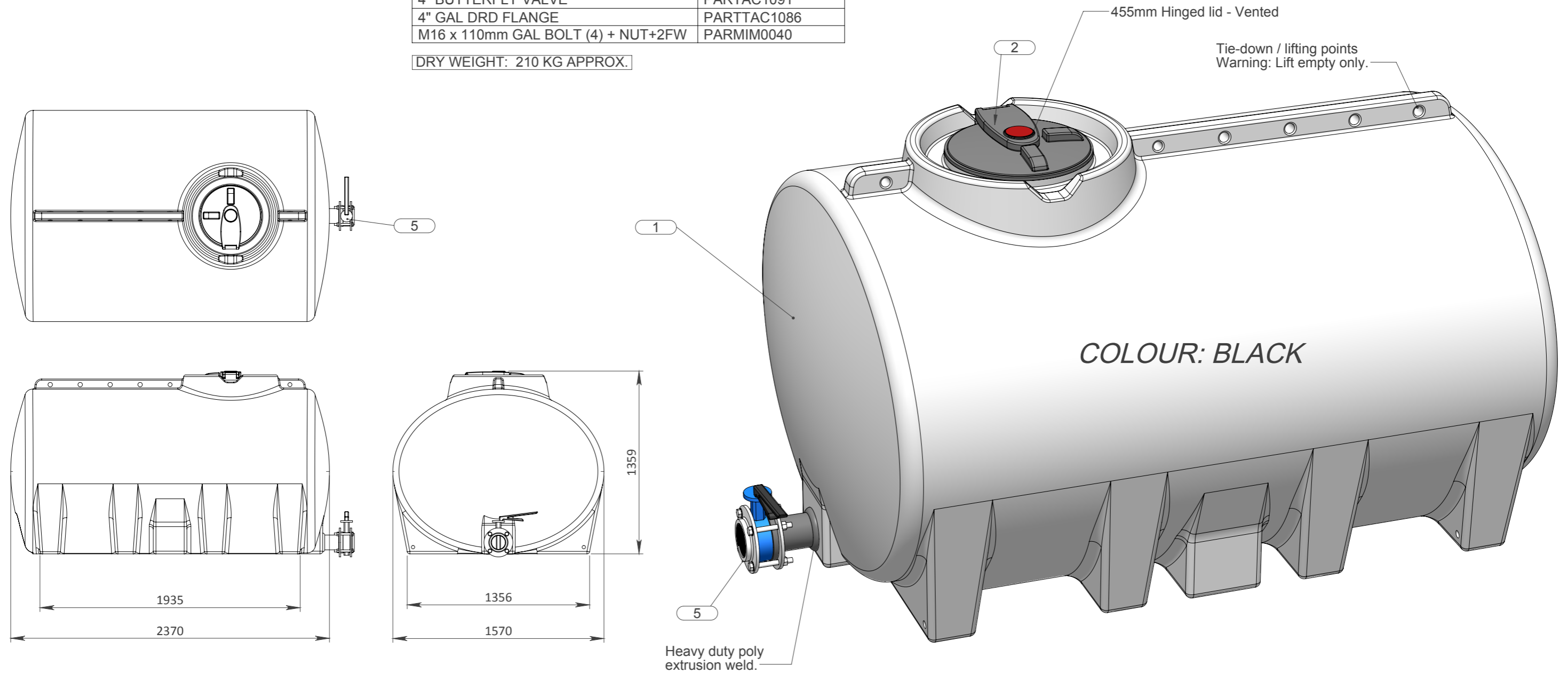
3,000L MOLASSES CARTAGE TANK

TOLERANCES
 NOTE: UNLESS NOTED OTHERWISE,
 PLEASE ALLOW DIMENSIONAL TOLERANCES
 DUE TO FABRICATION PROCESS AND
 POLYETHYLENE THERMAL EXPANSION
 DIMENSIONS <200mm - ALLOW ± 3mm
 DIMENSIONS 200 - 1000mm - ALLOW ± 5mm
 DIMENSIONS >1000mm - ALLOW ± 10mm

MARK	PART	MATERIAL	PART CODE	DRAWING REF.
1	3,000L HD MOLASSES CARTAGE TANK	BLACK HD GRADE POLYETHYLENE	FFAR500.3304	
2	455mm HINGED LID - VENTED	BLACK POLYPROPYLENE	PARTAC.0203	
5	4"/100mm STUB FLANGE & VALVE	GAL FLANGES, CAST IRON VALVE	FTAN204.0030	

4"/100mm STUB FLANGE & VALVE KIT - FTAN204.0030	
4" PE STUB FLANGE	PARWEF0301
4" GAL BACKING RING	PARWEF0401
4" BUTTERFLY VALVE	PARTAC1091
4" GAL DRD FLANGE	PARTTAC1086
M16 x 110mm GAL BOLT (4) + NUT+2FW	PARMIM0040

DRY WEIGHT: 210 KG APPROX.



REV	DATE	REVISION DESCRIPTION	DRAWN	CHKD	LEAD ENG
A	16.10.18	AS BUILT	DH	JG	