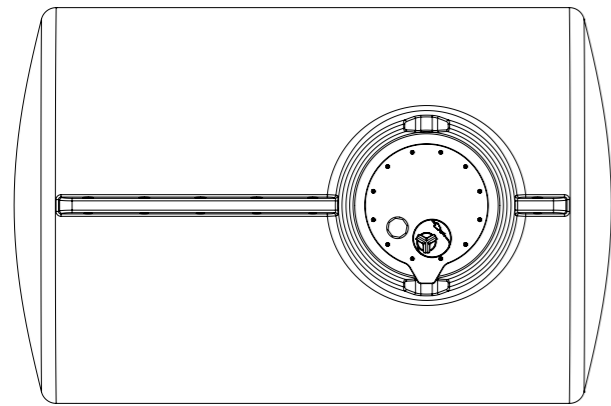


3,000L DIESEL CARTAGE TANK

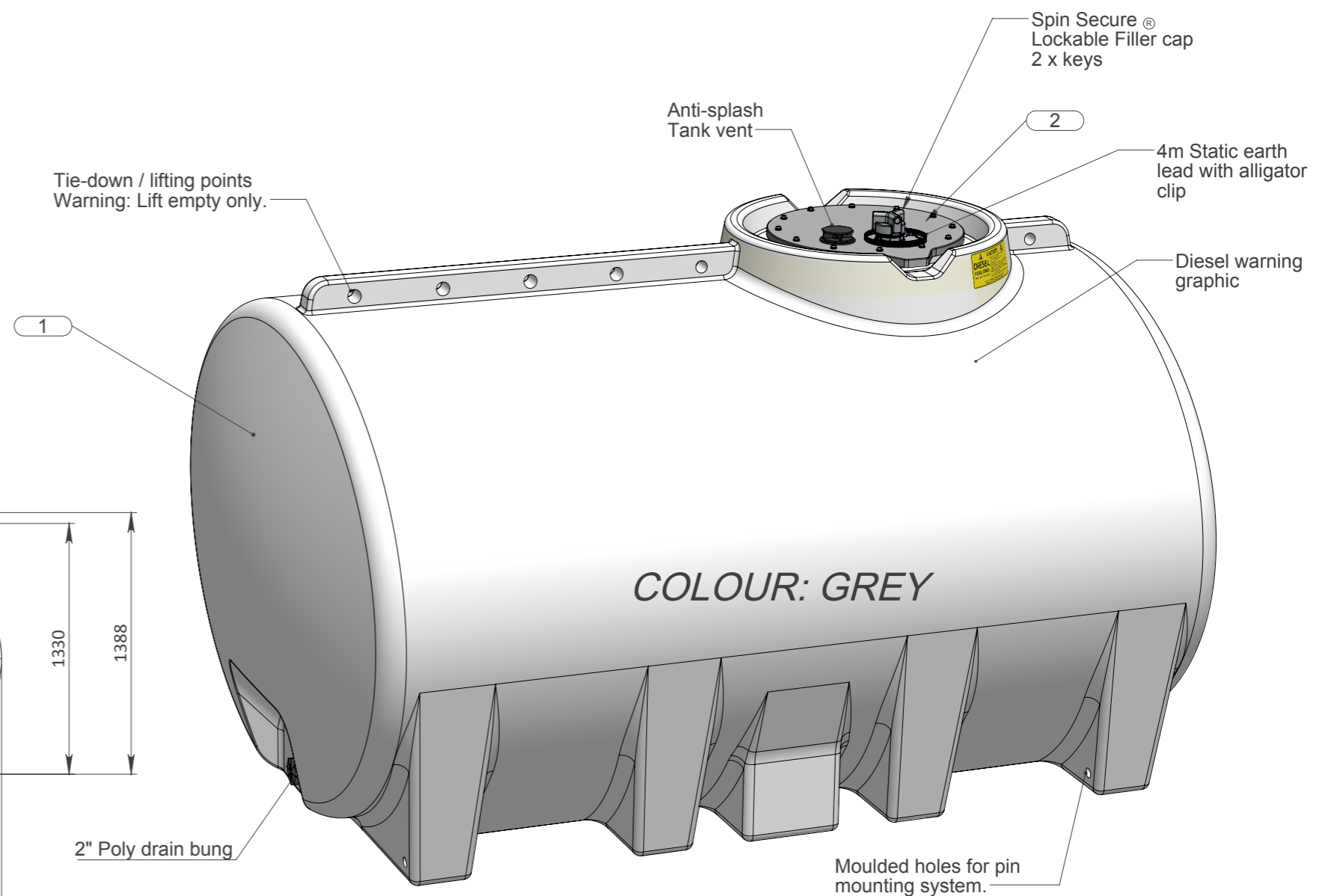
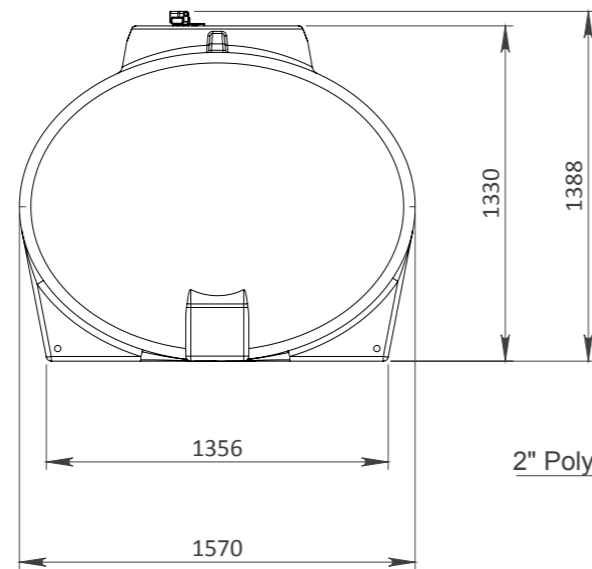
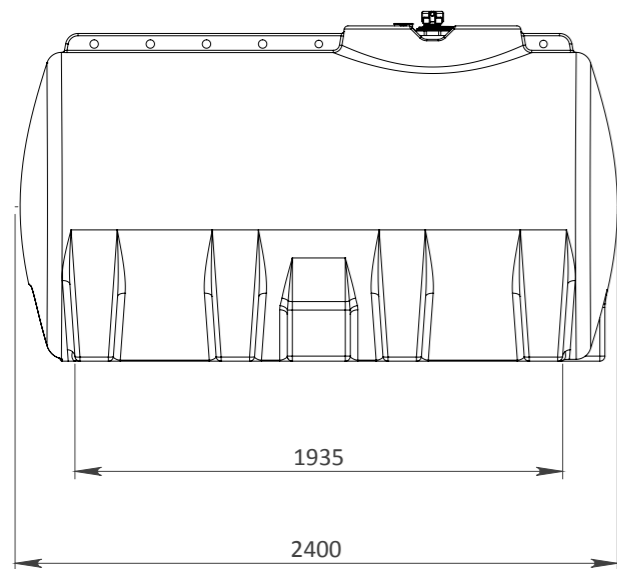
TOLERANCES
 NOTE: UNLESS NOTED OTHERWISE,
 PLEASE ALLOW DIMENSIONAL TOLERANCES
 DUE TO FABRICATION PROCESS AND
 POLYETHYLENE THERMAL EXPANSION
 DIMENSIONS <200mm - ALLOW ±3mm
 DIMENSIONS 200 - 1000mm - ALLOW ± 5mm
 DIMENSIONS >1000mm - ALLOW ± 10mm

MARK	PART	MATERIAL	PART CODE	DRAWING REF.
1	3,000L DIESEL CARTAGE TANK	GREY DIESEL GRADE POLYETHYLENE	FFAR500.3033	
2	DIESEL MANHOLE	INC. FILLER & BREATHER	FFAR500.6000	FFAR500.6000

DRY WEIGHT: 170 KG APPROX.



Manufactured in accordance with relevant standards (applicable sections)
 AS1940-2017 Storage and handling of flammable and combustible liquids
 AS/NZS1020-1995 Control of undesirable static electricity



REV	DATE	REVISION DESCRIPTION	DRAWN	CHKD	LEAD ENG
A	16.10.18	AS BUILT	DH	JG	

**GOUGH
PLASTICS**

A.C.N. 010 028 547
 Gough Industries Pty. Ltd.
 833 Ingham Road
 Bohle, Townsville
 P.O. Box 7570, Garbutt BC, Qld. 4814.
 Telephone 07 47747606
 Facsimile 07 47747608

CLIENT LOGO.

3,000L DIESEL CARTAGE TANK

SCALE
NTS A3

Gough Plastics Drg. No.

RUR-DIESEL-3000

A

✓

S:\Products\Rural\Cartage tanks