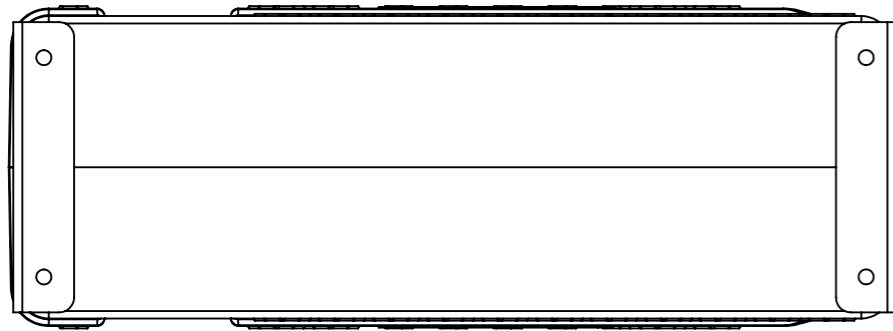


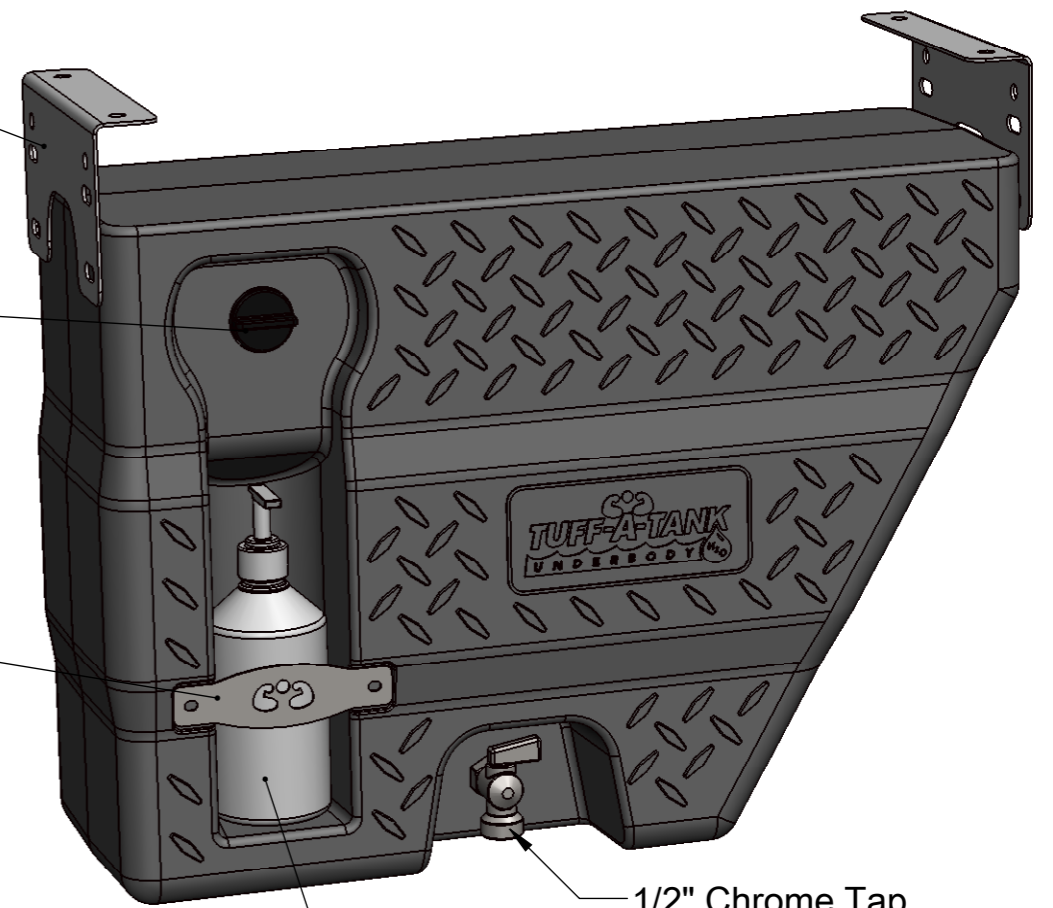
25L Underbody Water Tank
 Universal Left and Right hand mounting



2mm GAL BRACKETS

Poly Filler Bung

Anodized Aluminium
 Bottle bracket
 Company logo vinyl
 sticker option.

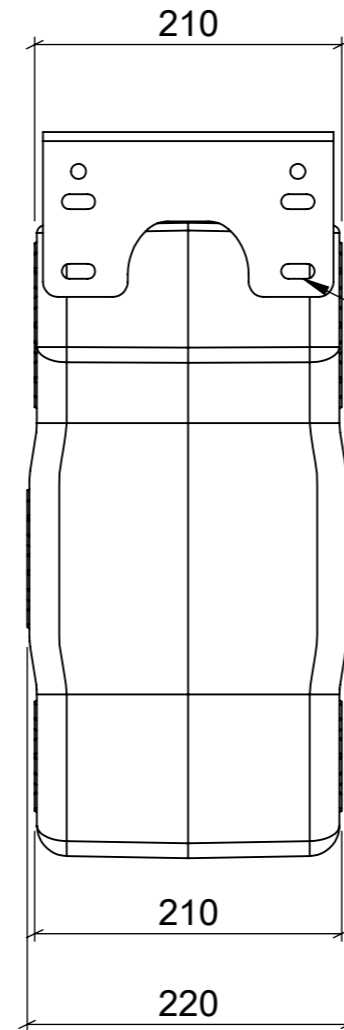
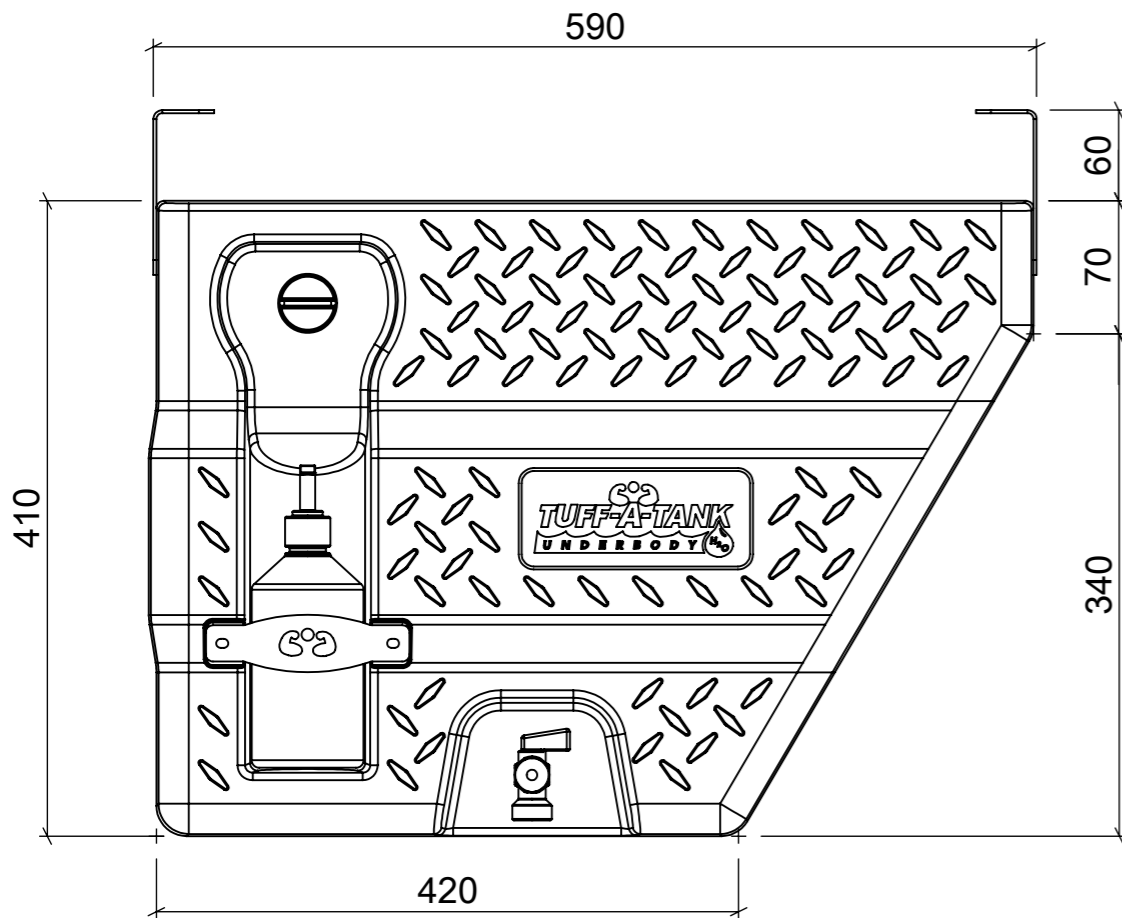


1/2" Chrome Tap

500mL Pump bottle (Empty)

10mm Gal bolts, flatwashers & spring washers.

Effective Volume 25 Litres



Note: Tank is the same on both sides.
 Bottle and bottle bracket can be swapped
 to either side for Left-Hand & Right-Hand Fitout.

A	16.11.12	DH	FIRST ISSUE	
REV	DATE	BY	DESCRIPTION	GOUGH
			REVISION	APPROV.



A.C.N. 010 028 547
 Gough Industries Pty. Ltd.
 833 Ingham Road
 Bohle, Townsville
 P.O. Box 7570, Garbutt BC, Qld. 4814.
 Telephone 07 47747606
 Facsimile 07 47747608

25L HANDWASH WATER TANK

Signature	Date	SCALE	A3	Gough Plastics Drg. No.	A	REV
D.HOLLIER	16.11.12		BOX-25LUBWT-001			
DRAWN						
DRN. CHK				S:\Products\Domestic\Underbodies\25L Handwash Tank		