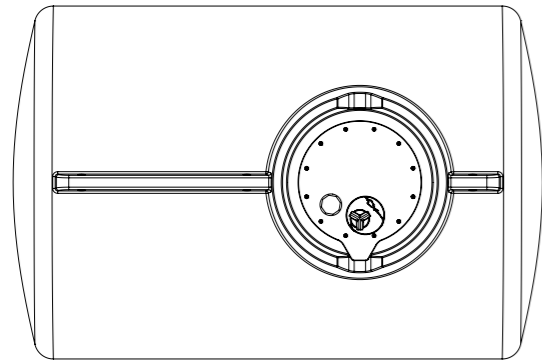


2,000L DIESEL CARTAGE TANK

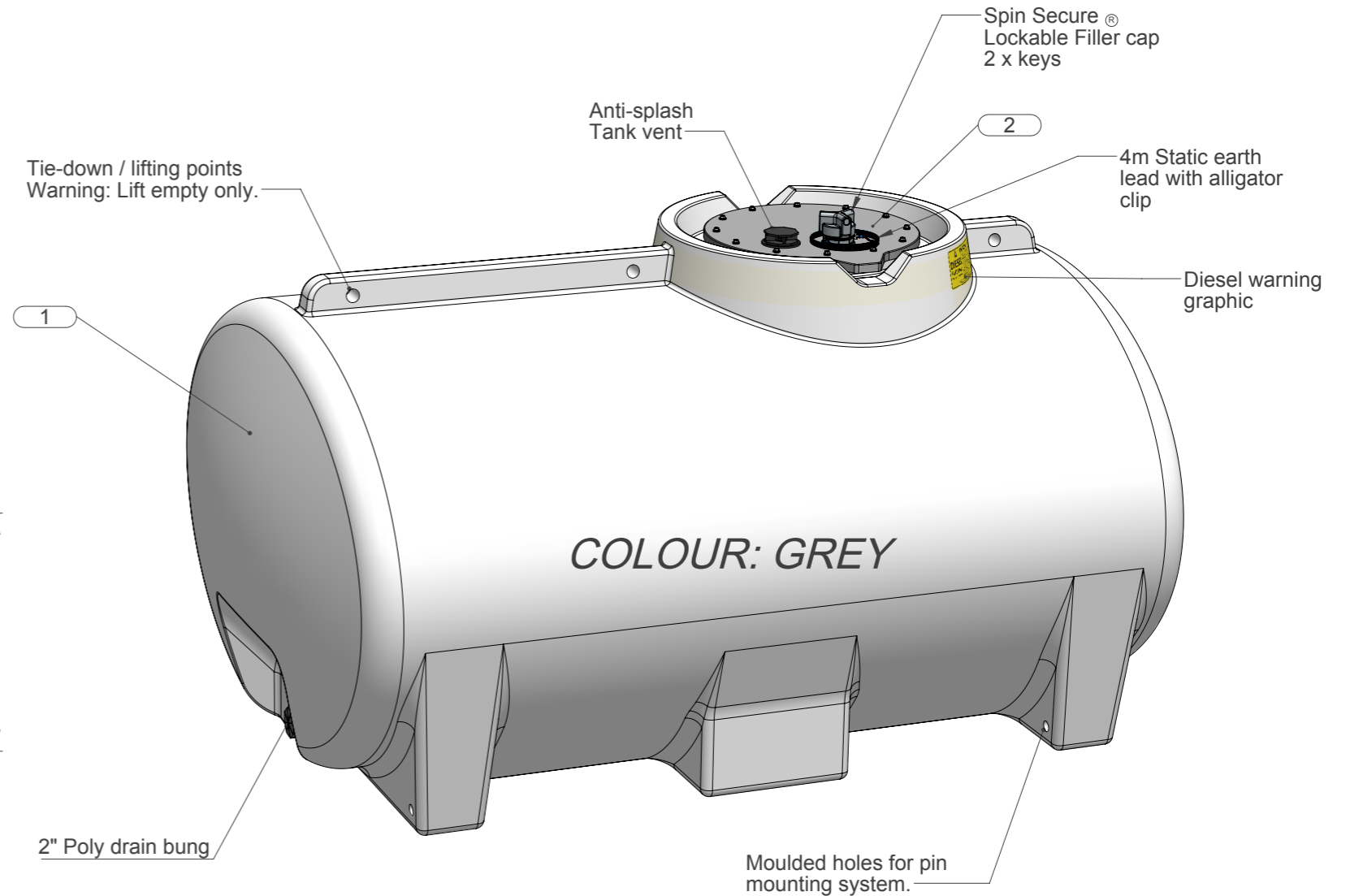
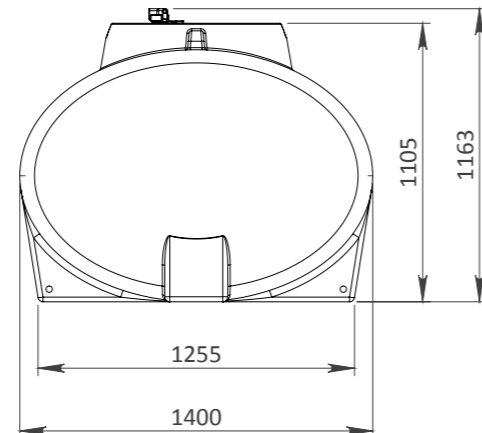
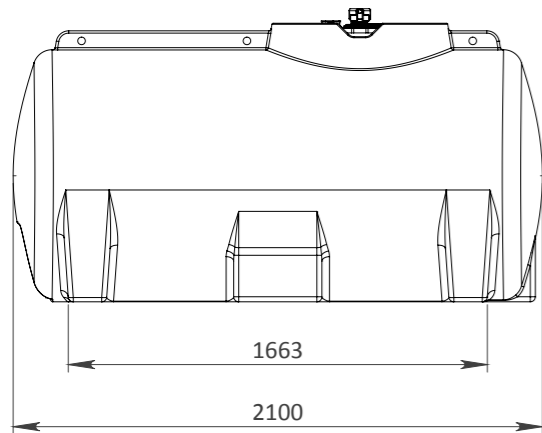
TOLERANCES
 NOTE: UNLESS NOTED OTHERWISE,
 PLEASE ALLOW DIMENSIONAL TOLERANCES
 DUE TO FABRICATION PROCESS AND
 POLYETHYLENE THERMAL EXPANSION
 DIMENSIONS <200mm - ALLOW ±3mm
 DIMENSIONS 200 - 1000mm - ALLOW ± 5mm
 DIMENSIONS >1000mm - ALLOW ± 10mm

MARK	PART	MATERIAL	PART CODE	DRAWING REF.
1	2,000L DIESEL CARTAGE TANK	GREY DIESEL GRADE POLYETHYLENE	FFAR500.2024	
2	DIESEL MANHOLE	INC. FILLER & BREATHER	FFAR500.6000	FFAR500.6000

DRY WEIGHT: 110 KG APPROX.



Manufactured in accordance with relevant standards (applicable sections)
 AS1940-2017 Storage and handling of flammable and combustible liquids
 AS/NZS1020-1995 Control of undesirable static electricity



REV	DATE	REVISION DESCRIPTION	DRAWN	CHKD	LEAD ENG
A	16.10.18	AS BUILT	DH	JG	