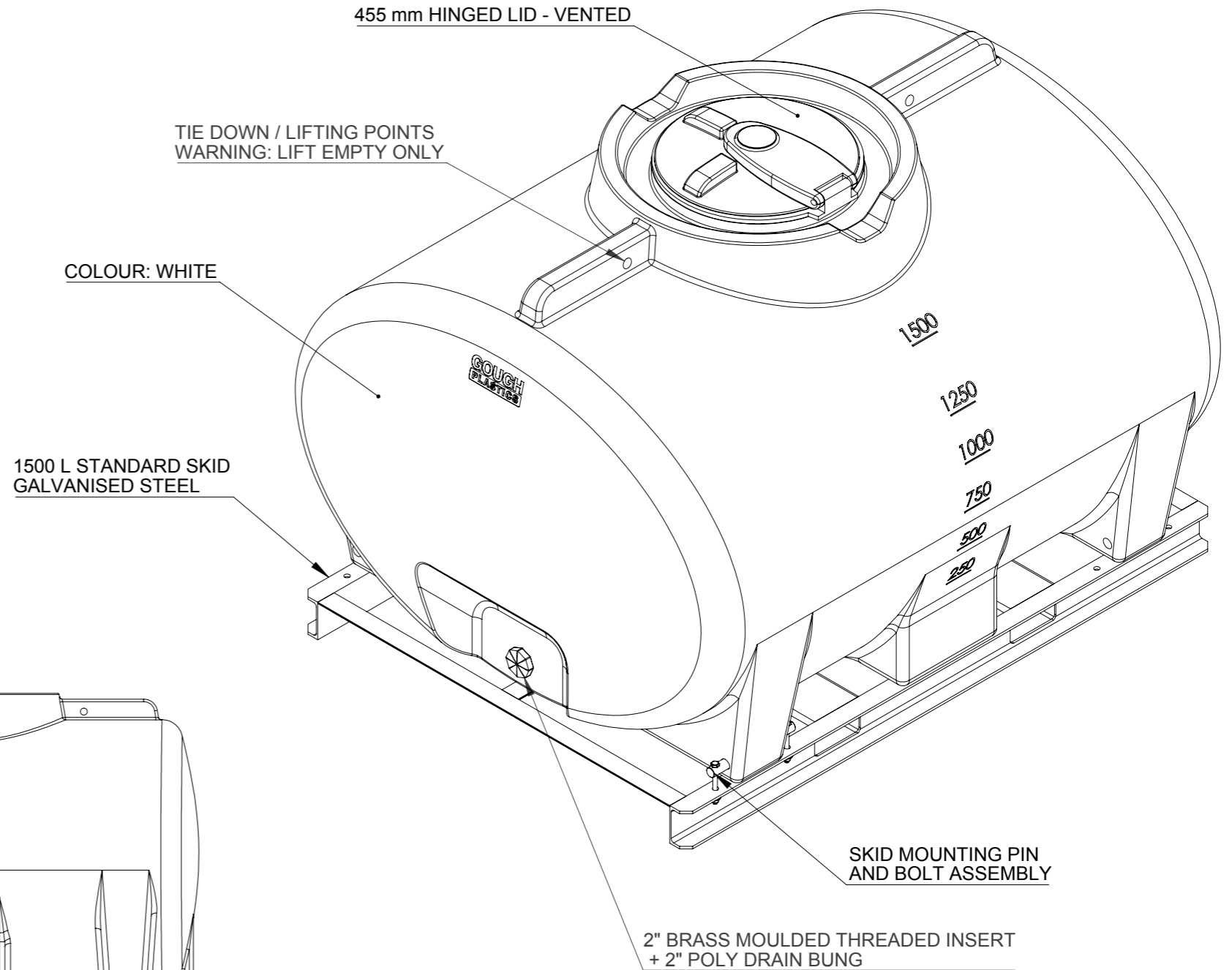
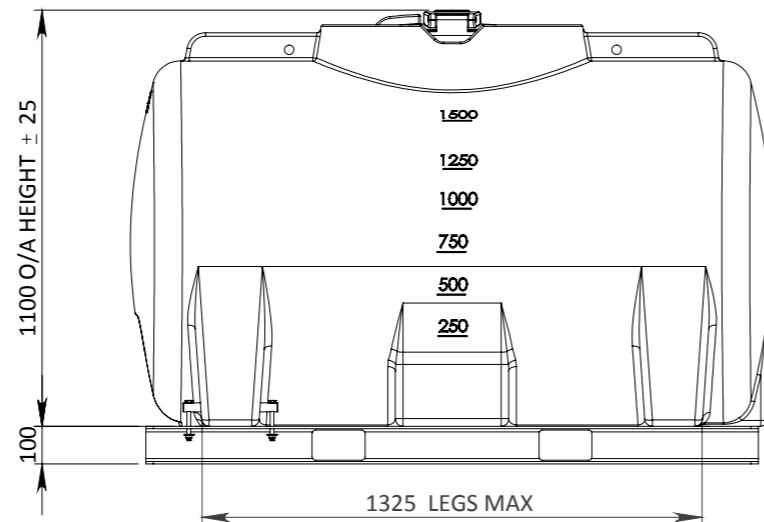
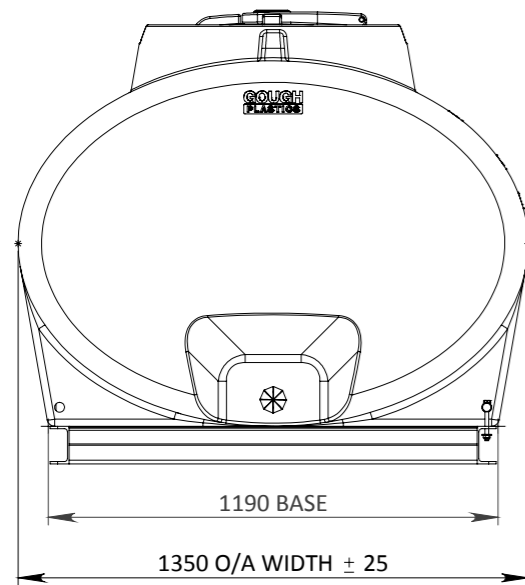
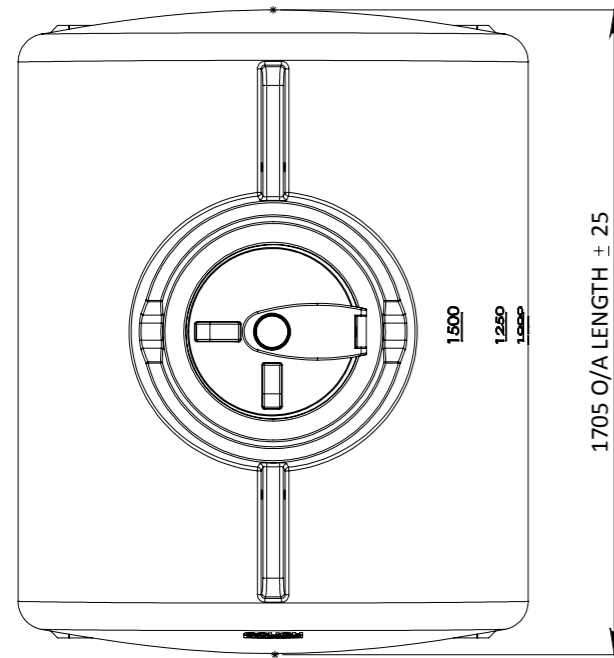


1,500 L CHEMICAL CARTAGE TANK STANDARD SKID

FFAR500.1503 + FFAR500.4015.1

TOLERANCES
UNLESS NOTED OTHERWISE
PLEASE ALLOW BELOW TOLERANCES
DIMENSIONS <200mm - ALLOW ±5mm
DIMENSIONS 200 - 1000mm - ALLOW ± 10mm
DIMENSIONS >1000mm - ALLOW ± 20mm



TANK DRY WEIGHT : 65 KG APPROX
SKID WEIGHT : 70 KG APPROX

0	18.03.20	SALES DRAWING	MC	DH	
REV	DATE	REVISION DESCRIPTION	DRAWN	CHKD.	ENG.



A.C.N. 010 028 547
Gough Industries Pty. Ltd.
833 Ingham Road
Bohle, Townsville
P.O. Box 7570, Garbutt BC, Qld. 4814.
Telephone 07 47747606
www.gough.com.au

Dimensions are in millimetres (mm) unless noted.

CLIENT LOGO.	1,500L CARTAGE TANK		REVISION
SCALE	NTS	A3	0
SOLDWORKS: S:\Solidworks\Rural\Cartage Tanks\1500 L\Chemical		GOUGH PLASTICS DRAWING No.	RUR-CHEM-1500
PDF. FILE PATH: S:\Products\Marketing Rural\Cartage Tanks\1500 L Cartage			